



INSTRUCTION MANUAL
& REFERENCE GUIDE



Introduction

Serpent likes to welcome you to the fascinating world of rc car racing. You are now part of the worldwide network of Serpent drivers, which gives you access to superior technical and race support by dedicated Serpent people.

Serpent as a company has been active in racing, developing and manufacturing rc cars since 1979, and has gathered a large following of enthusiastic and dedicated rc car racers around the world.

The Serpent S411 is developed by an expert team of racers and engineers, to offer you the pinnacle of rc racing car technology. Continuously pushing the performance envelop, Serpent's engineers have added new and innovative features that help to take your Serpent S411 into the winners circle.

For latest information about S411 check on: www.serpent.com/400005

Enjoy building and racing the Serpent S411

Team Serpent

Contents

2	Introduction / contents
3	Safety, Customer service
	Read This First
4	Using the Manual
5	Assembly Instructions
7	Rear Assembly
9	Rear Suspension
11	Differential Assembly
15	Front Assembly
22	Front Suspension
33	Shock Assembly
39	Final Assembly
47	Reference guide
48	Exploded views
60	Parts List

Safety

Read and take note of the 'Read this First section' before proceeding to assemble the car-kit. This car-kit is intended for persons aged 16 or older.

Customer service

Serpent has made a strong effort to make this manual as complete and clear as possible. Additional info may be published in our website:

www.serpent.com or you may ask your dealer or the Serpent distributor for advice, or email Serpent direct: info@serpent.com

The Serpent Facebook, Twitter and Youtube pages give additional means of support and communications.

Instructions, how to use

The kit includes bags, with bag numbers, which refer to the same step in the manual. Open only the indicated bag(s) per step and finish that part of the assembly. Remaining parts will be needed later on in the assembly process.

Instructions

Serpent's long tradition of excellence extends to the instruction manuals, and this instruction manual is no exception. The easy-to-follow layout is richly illustrated with 3D-rendered full-color images to make your building experience quick and easy. Following the instructions will result in a well-built, high-performance race-car that will soon be able to unleash its full potential at the racetrack.

SETUP

In certain assembly steps you need to make basic adjustments, which will give you a good initial setup for your Serpent S411. Fine-tuning the initial setup is an essential part of building a high-performance racecar like your S411.

Exploded views and partslist

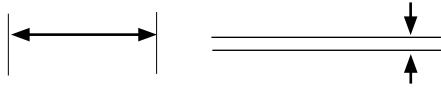
The exploded views and parts lists for the Serpent S411 are presented in the Reference Guide section in the back of this manual. The exploded views show all the parts of a particular assembly step along with the Serpent part number. The parts lists indicate the part number and name of each part for easy reference when ordering.

Read this first!

- This is a highly technical hobby product, intended to be used in a safe racing environment. This car is capable of speeds in excess of 80 km/h or 50mph. Please follow these guidelines when building and operating this model.
- Parental guidance is required when the builder/user of this car is under 16.
- Follow the building instructions. If in doubt, contact your dealer or importer.
- Be sure to use the proper tools when assembling the car. Always exercise caution when using electric tools, knives and other sharp objects.
- Be careful when using liquids like lubrication oil, fuel or glue. Do not swallow.
- Follow the manufacturer's instruction in case you experience irritation after using the product.
- Be careful when operating the car. Stay away from any rotating parts such as wheels, gears and transmission. Stay away from motor, engine and exhaust pipe system or speedo during and immediately after use, as these parts may be very hot. We advise to use protective hand gloves.
- Only operate this car in a safe environment, like a special racing track or a closed parking lot. Avoid using this car on public roads, crowded places or near infants.
- Before operating this car, always check the mechanical status of the car. Also check that the transmitter and receiver frequencies correspond and are not used by any other racer at the same time. Check that the batteries of the transmitter and receiver- are fully charged.
- After use, always check all the mechanics of the car. We advise to clean the car immediately after use, and inspect the parts for wear or fractures. Replace when necessary. Do not use water, methanol, thinner or other solvents to clean the car.
- Empty the fuel tank (depending on model) if needed and disconnect the receiver battery.
- Store the car in a dry and heated place to avoid corrosion of metal parts.
- Avoid using this car in wet conditions as the water will cause corrosion on the metal parts and bearings and these parts will cease to function properly. If driven in the wet, ensure that all the electric equipment is waterproofed and after use, that all moving parts are dried immediately.

USING THE MANUAL

①



Step number;
the order in which you should assemble the indicated parts

Length after assembly / Gap between two items

Assembly path of one item into another

Group of items (within lines) should be assembled first

Direction the item should be moved

Glue one item to another

Press/Insert one item into another

Connect one item to another



Apply transmission grease*(Grey), threadlock* (Blue), CA glue* (Red)
or differential oil (Orange), Silicon oil (*Items not included.)

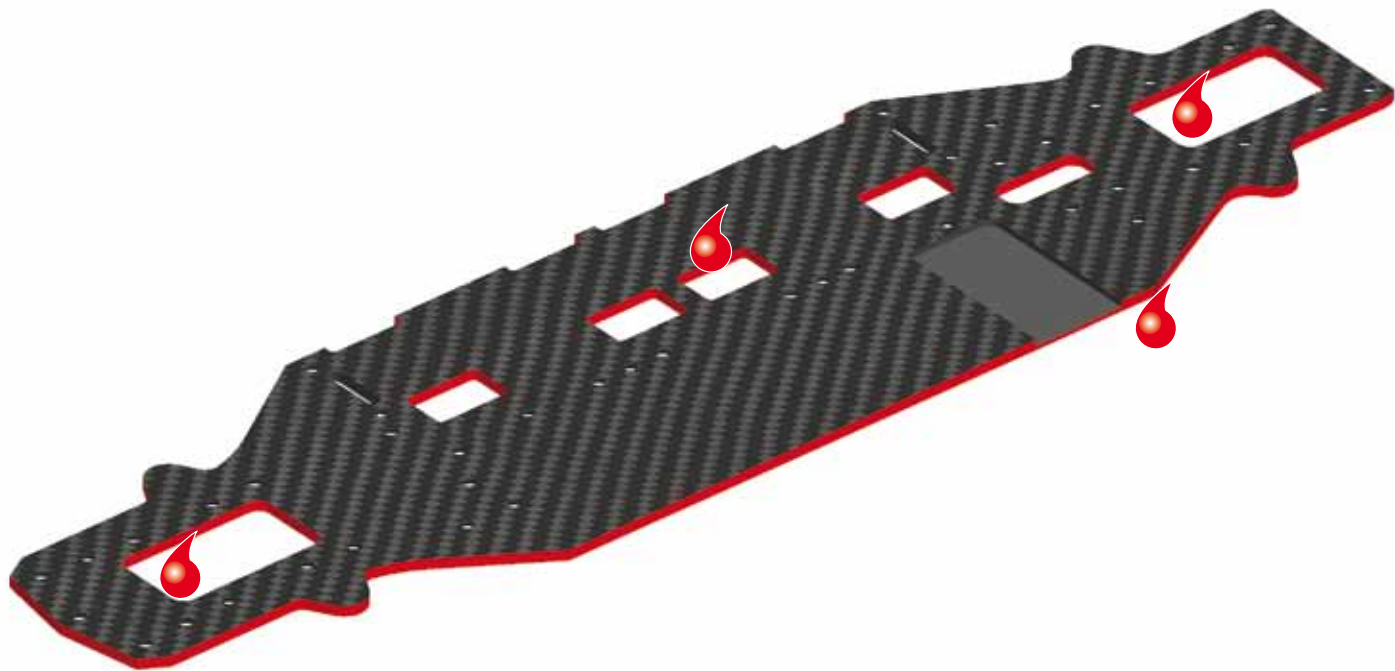
ASSEMBLY INSTRUCTIONS

The slide features a decorative graphic consisting of three wavy lines that span the width of the page. One line is orange and the other two are black. They overlap and create a layered, fluid effect.

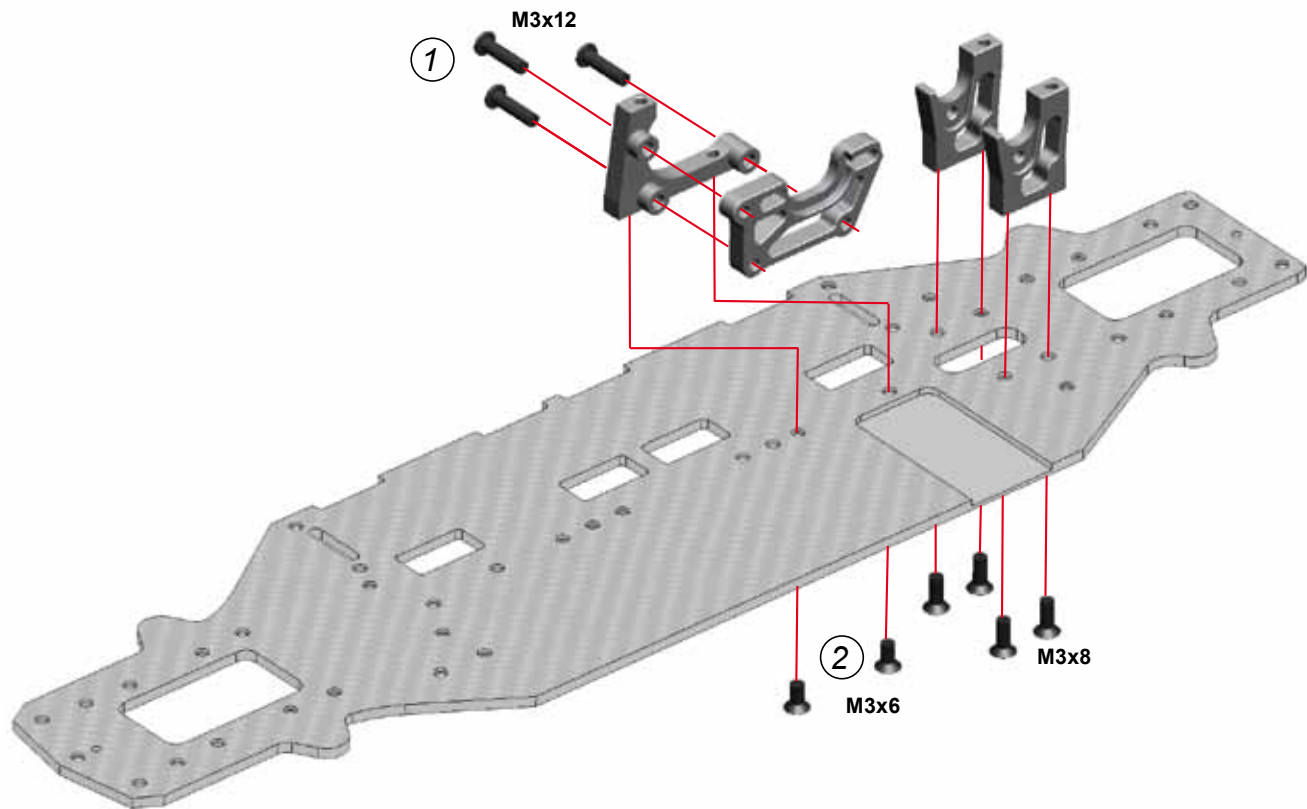
A

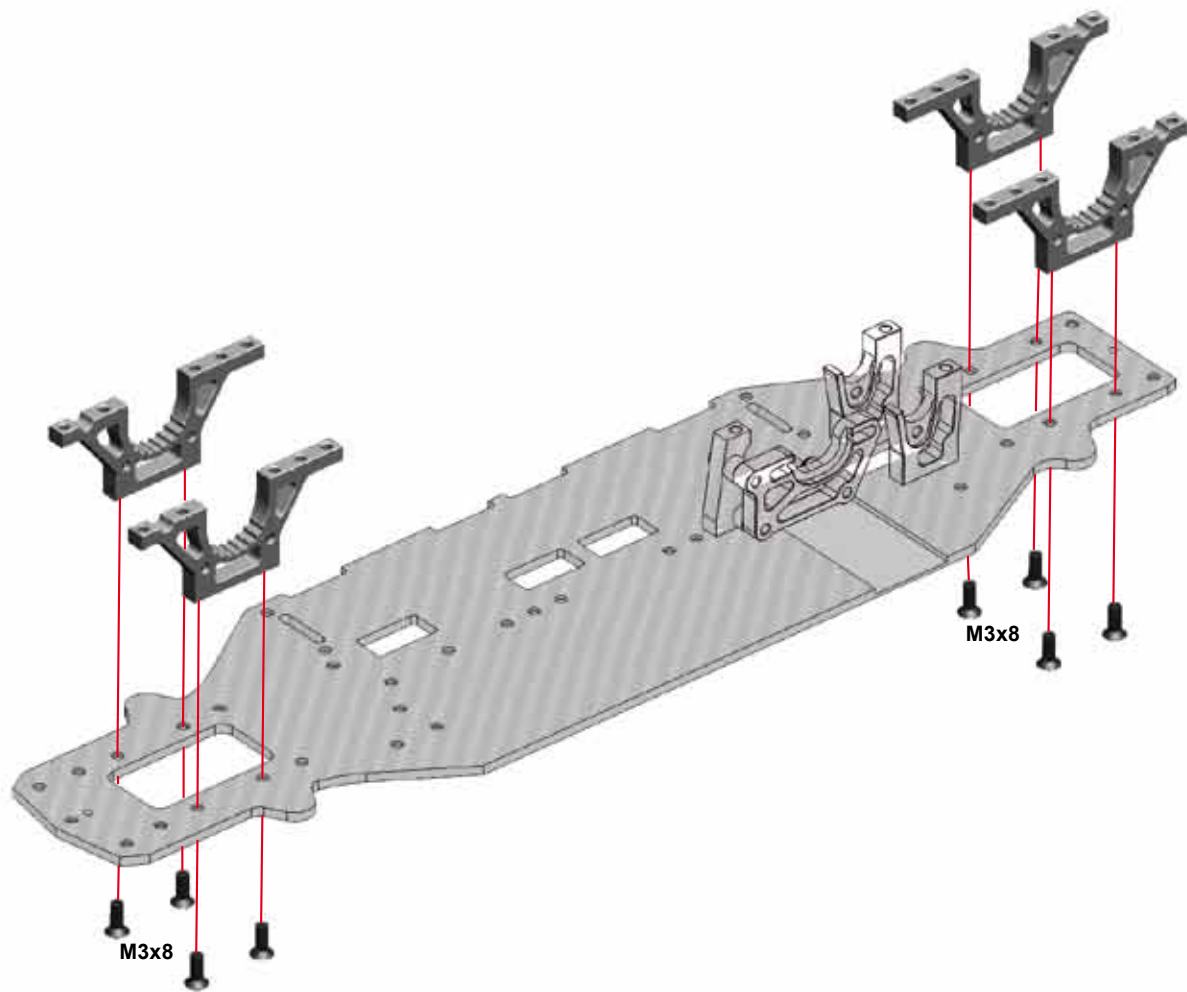
1

KIT



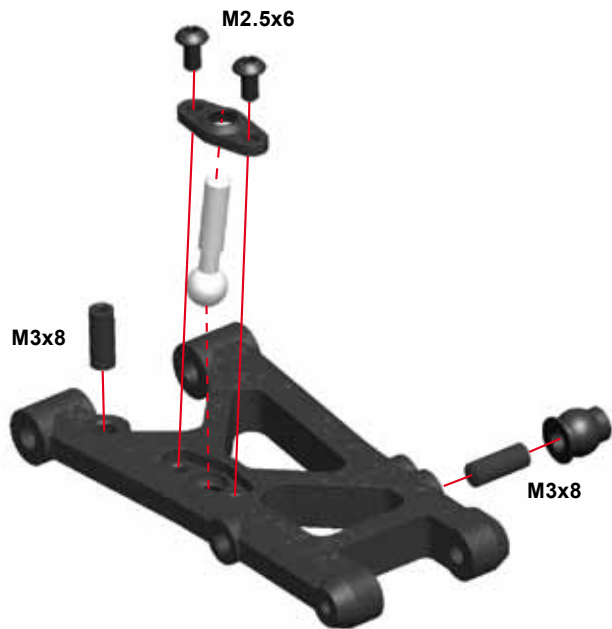
apply Cyano around the chassis (as red indicated)





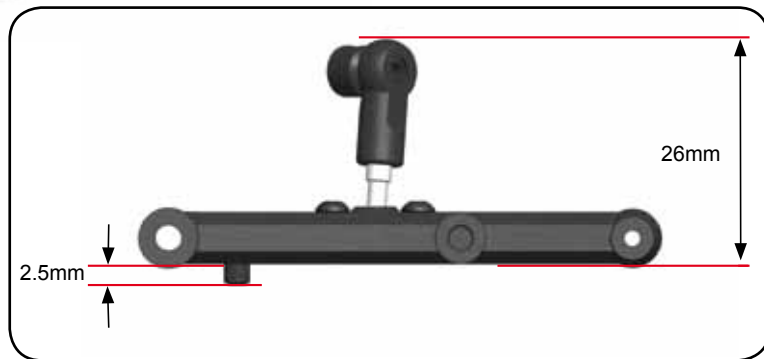
A

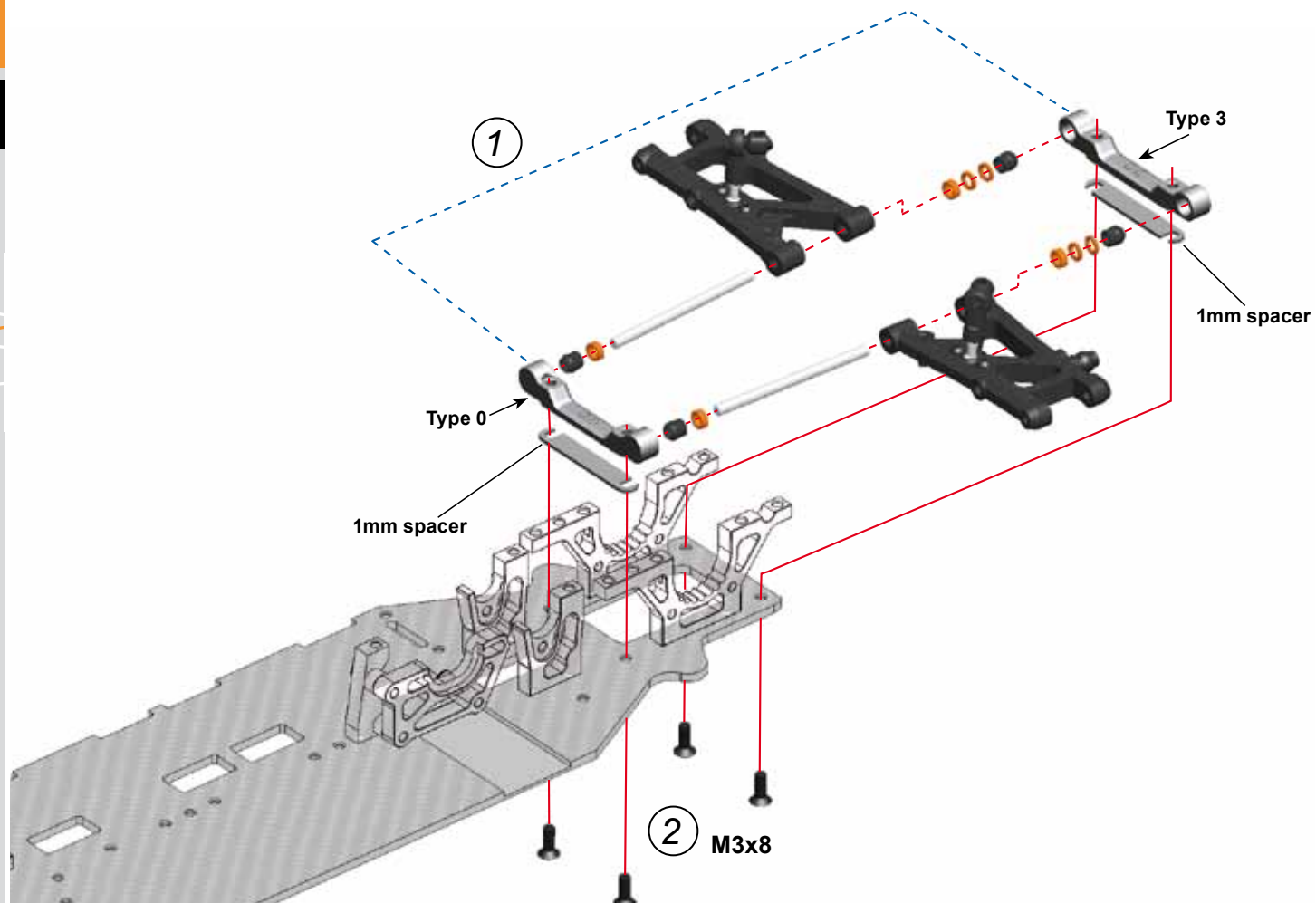
4



A

5

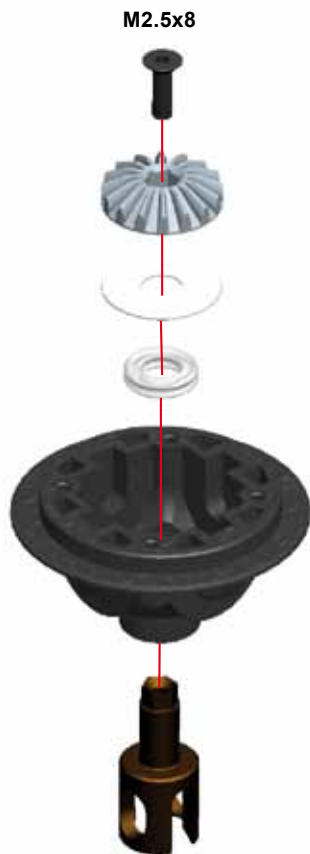




A

7

DIFF
BAG



A

8

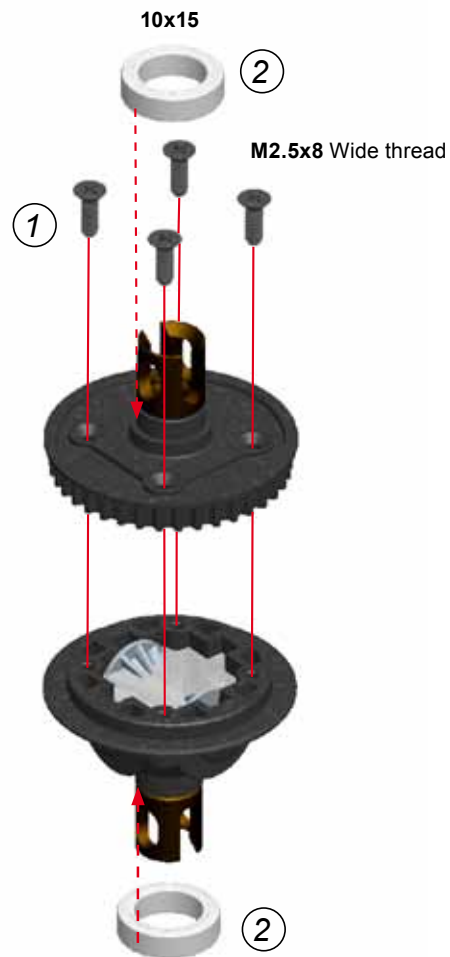
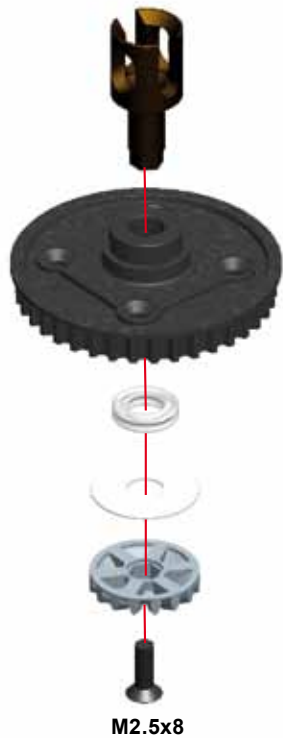


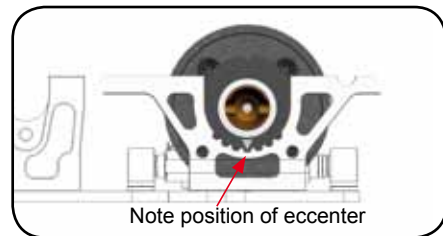
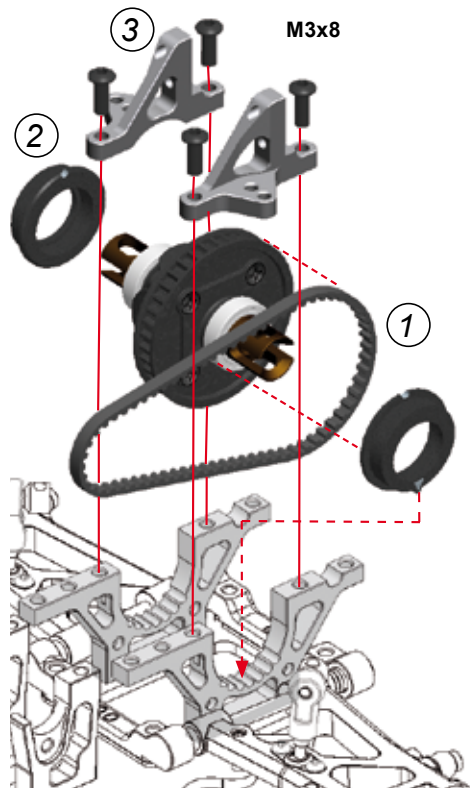
A

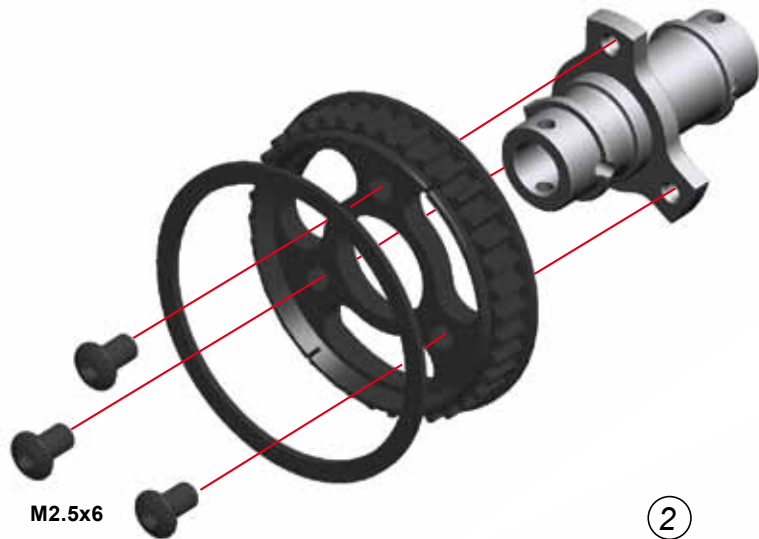
9

Fill up with 1200 cst silicone oil, until shaft is just covered

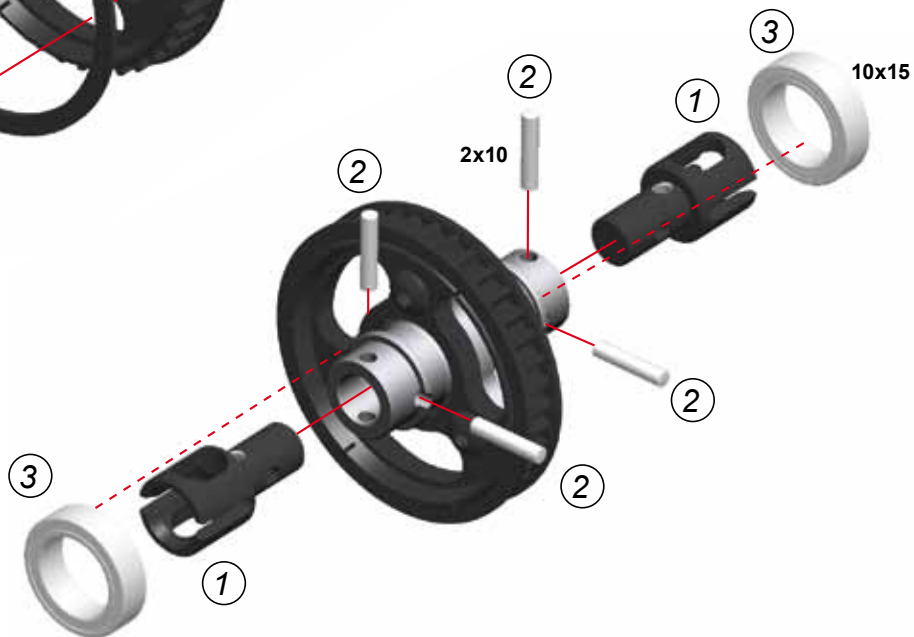


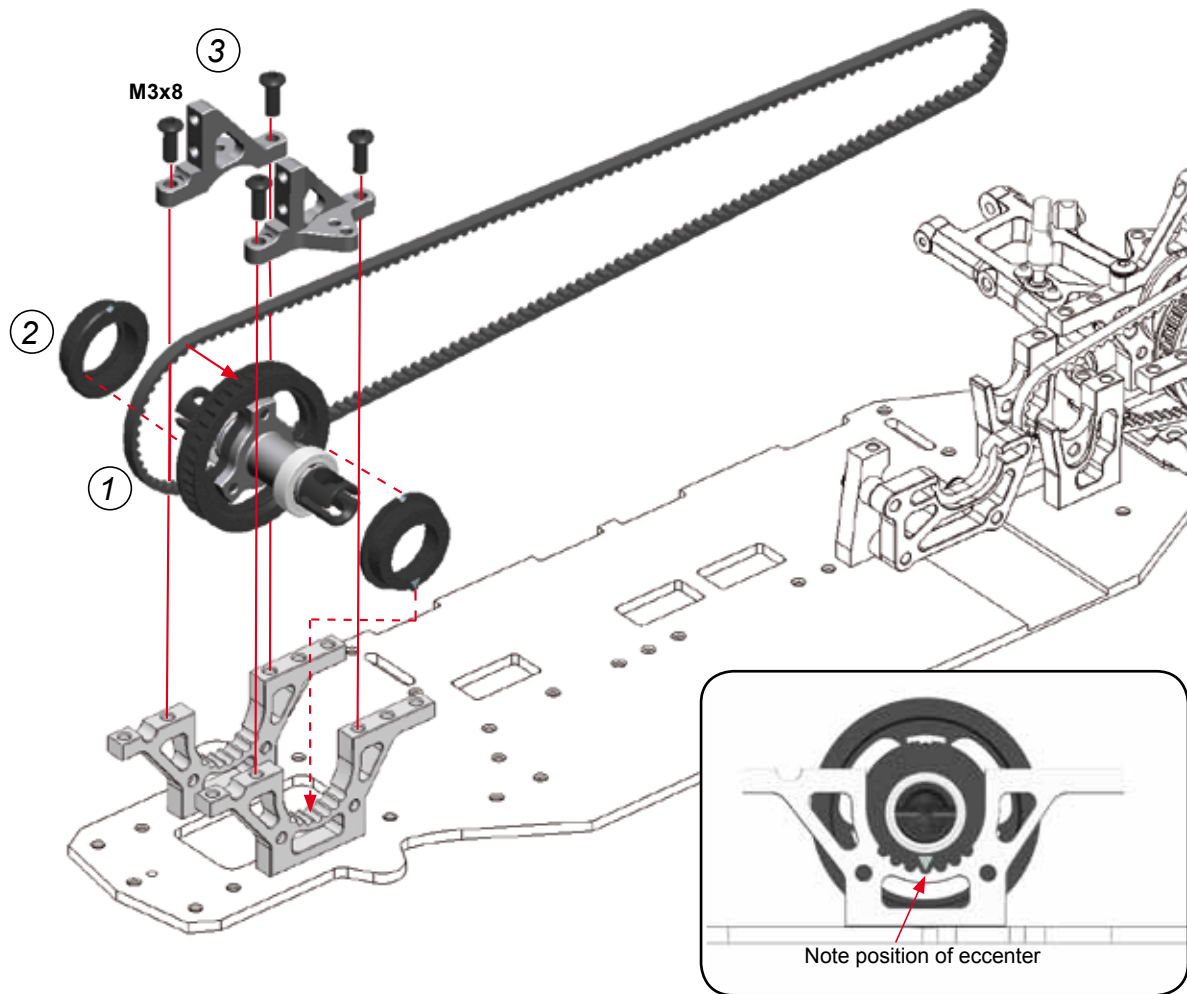






TIP
Mount the pulley-shim correctly



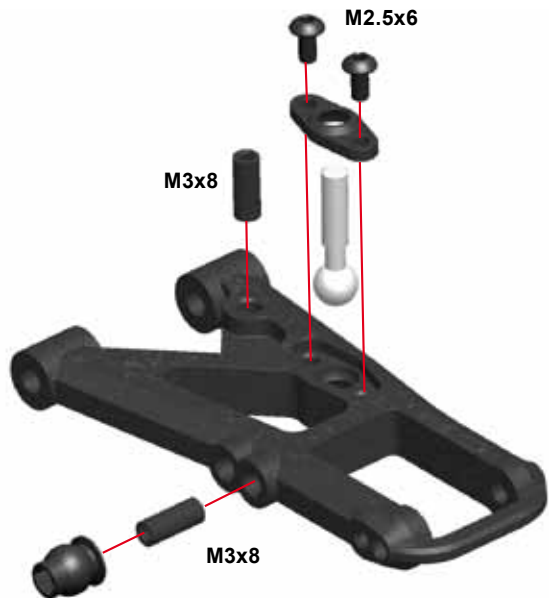


A

16

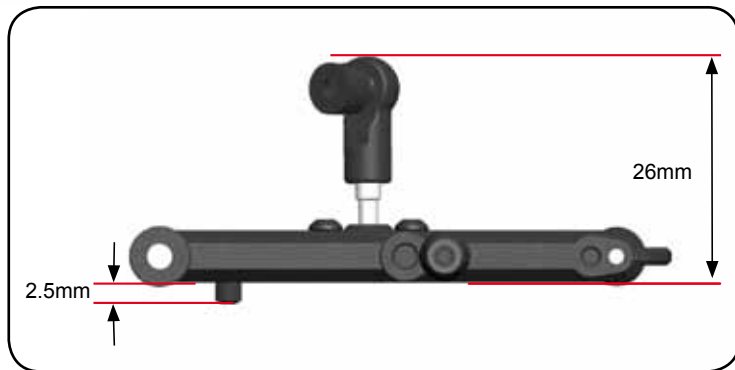
BAG

3

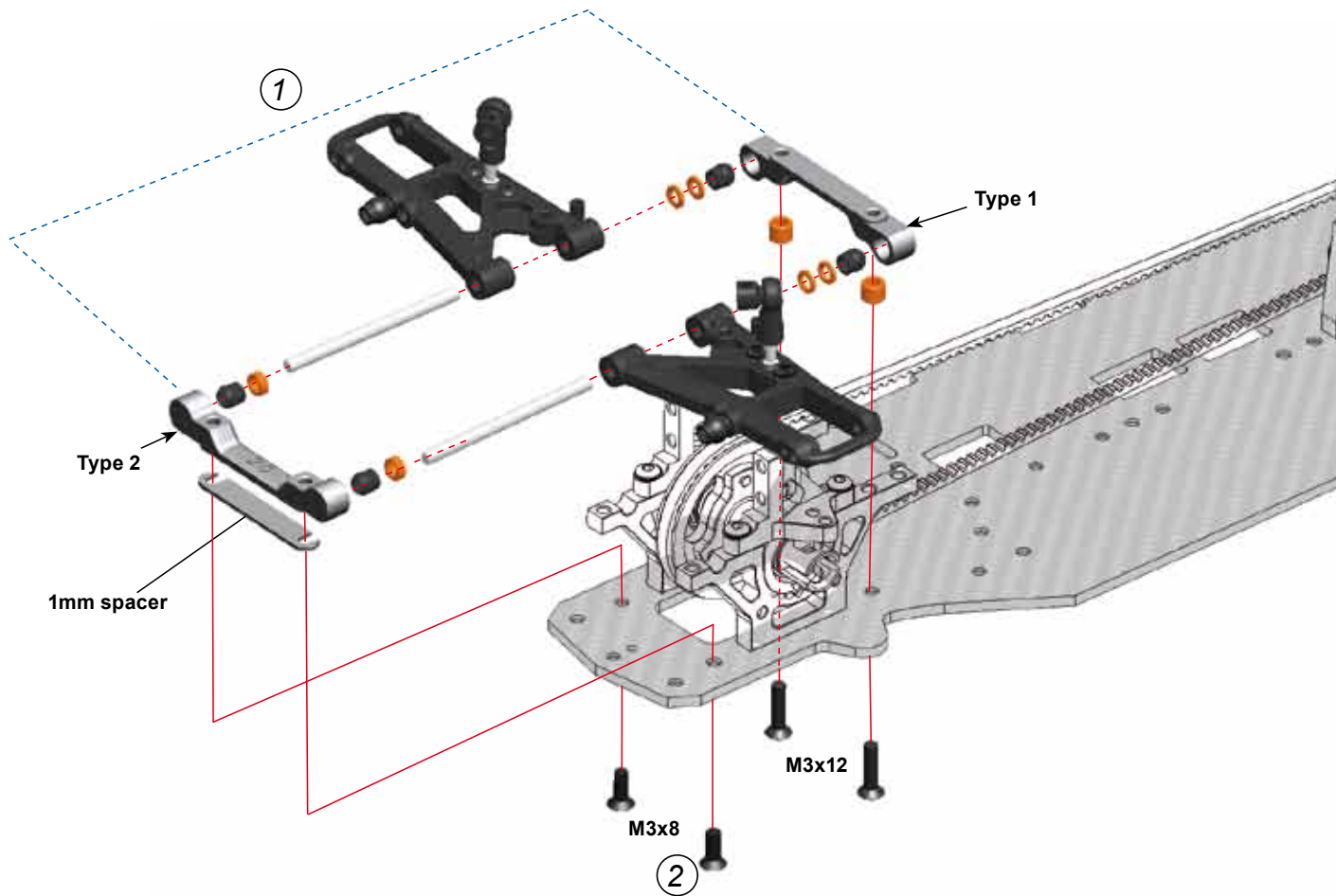


A

17



16

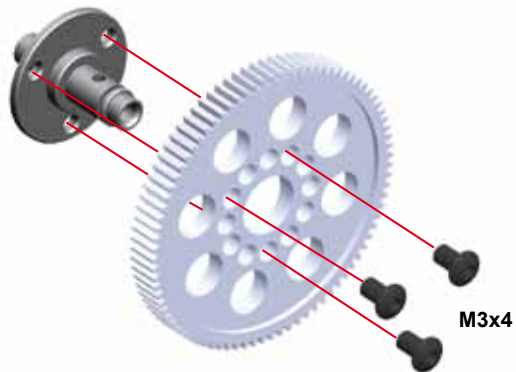


A

19

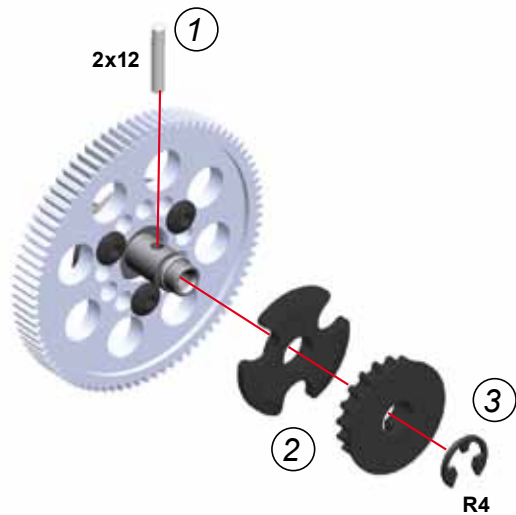
BAG

4



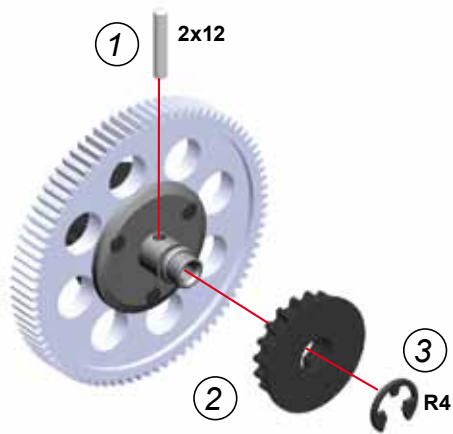
A

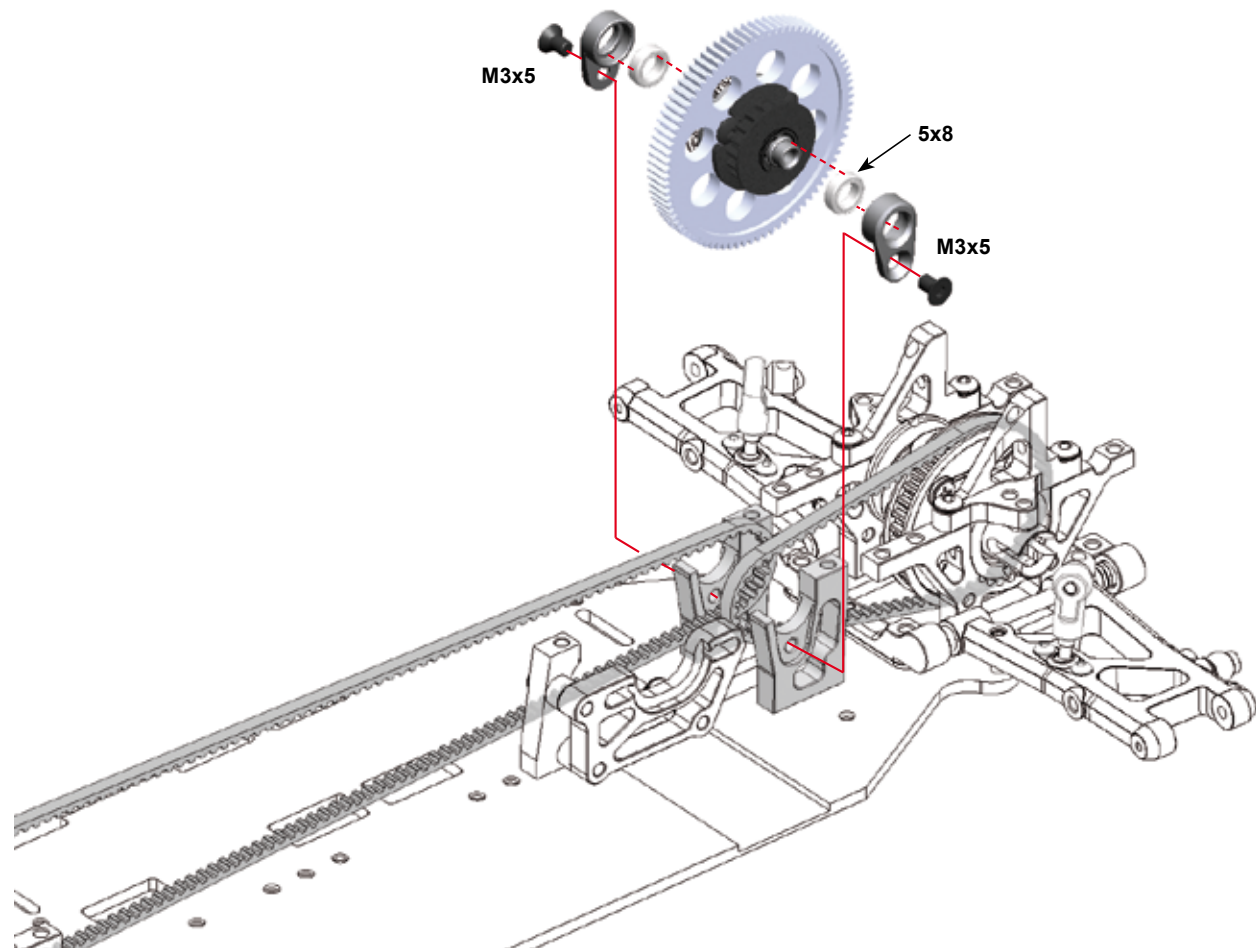
20

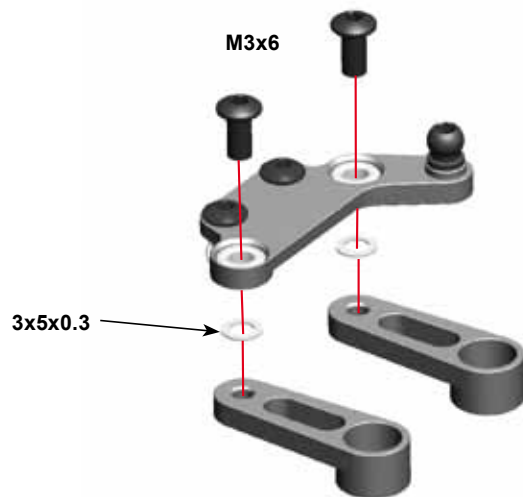
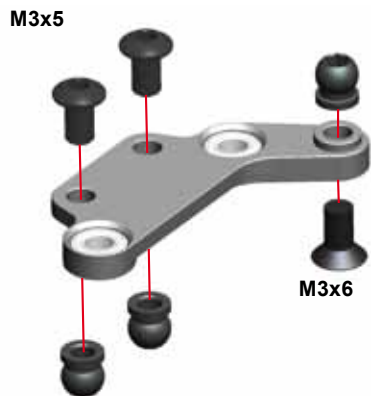


A

21

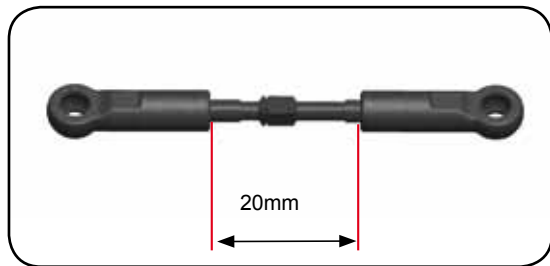






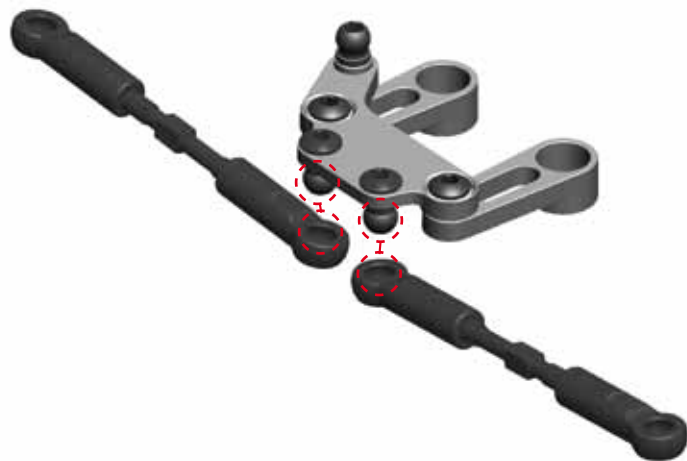
A

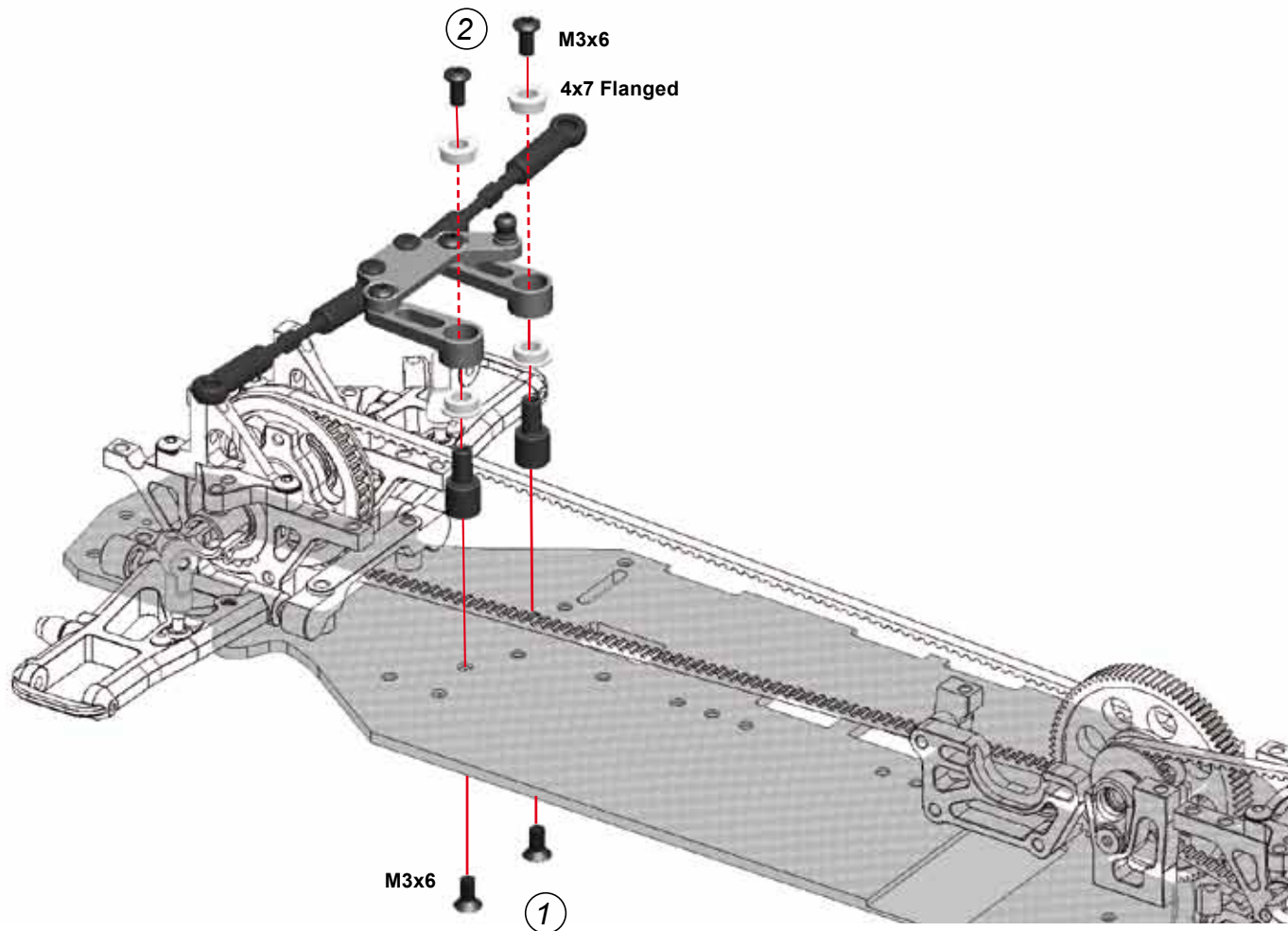
25

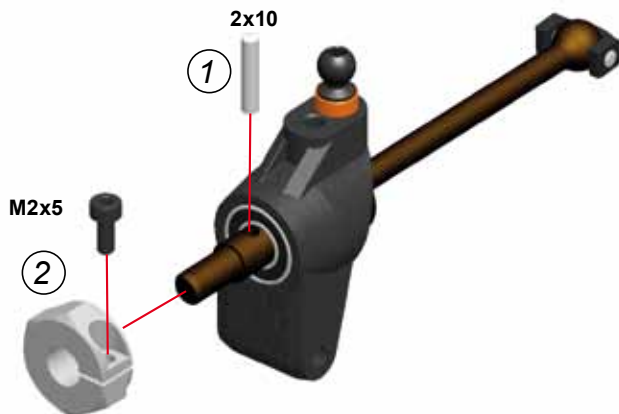
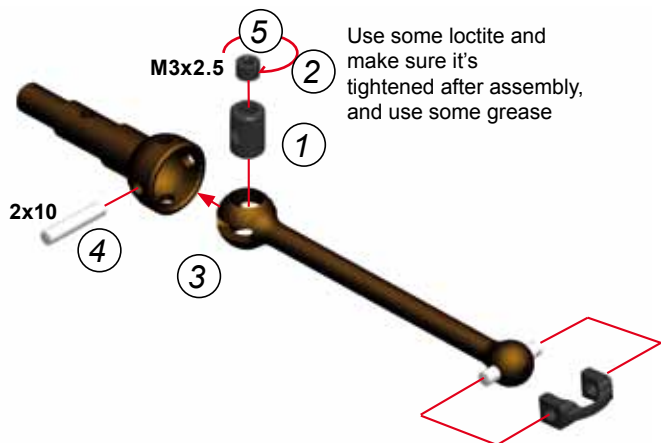


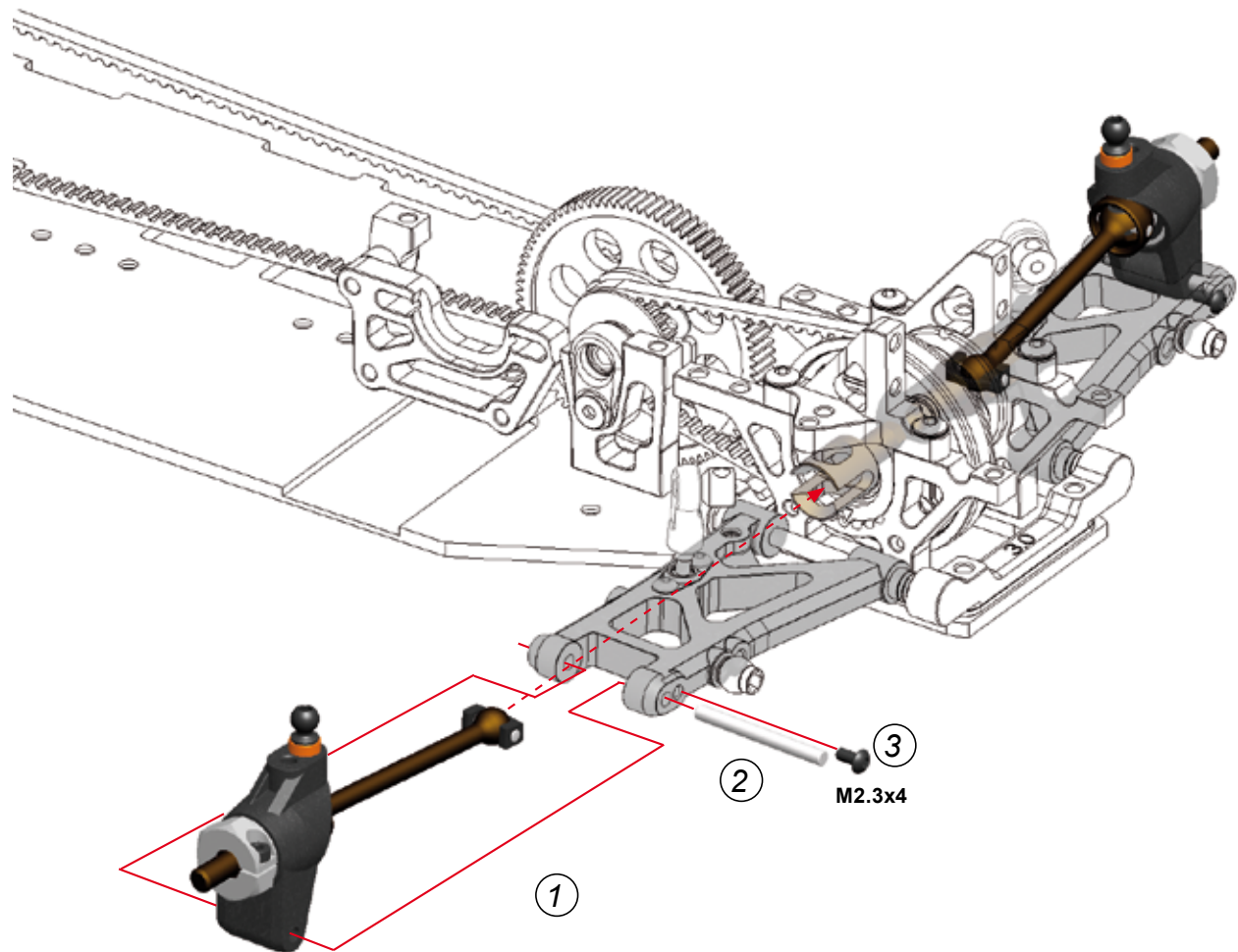
A

26

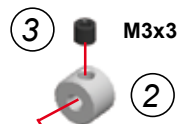




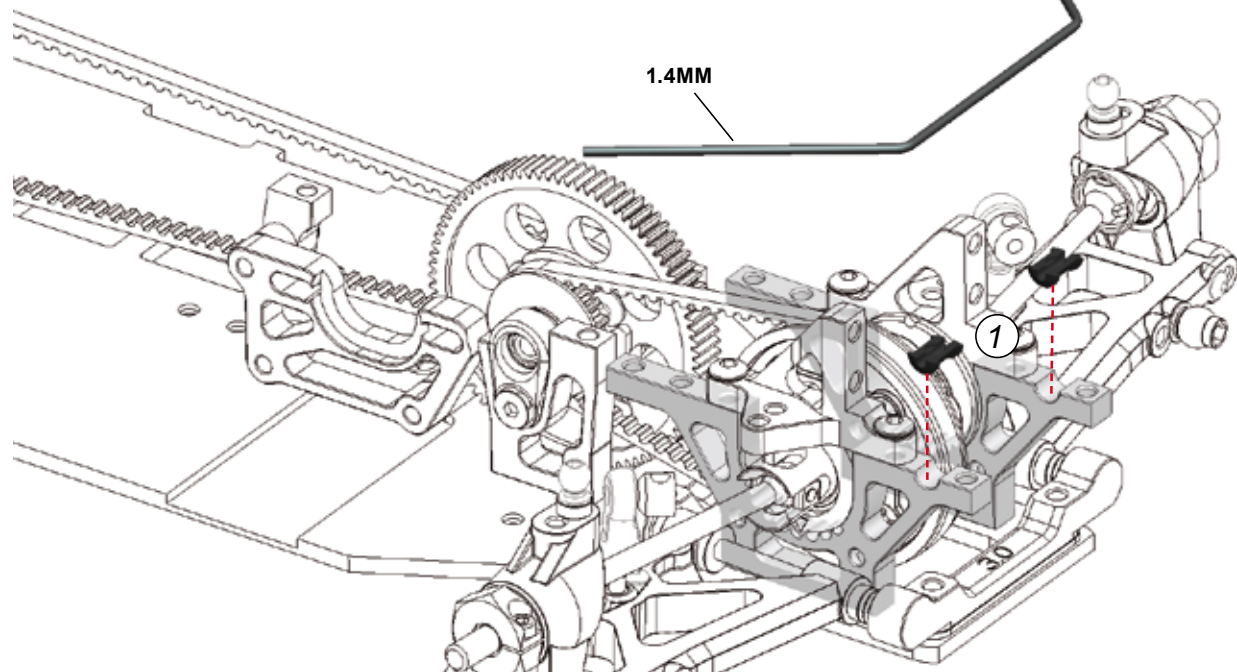


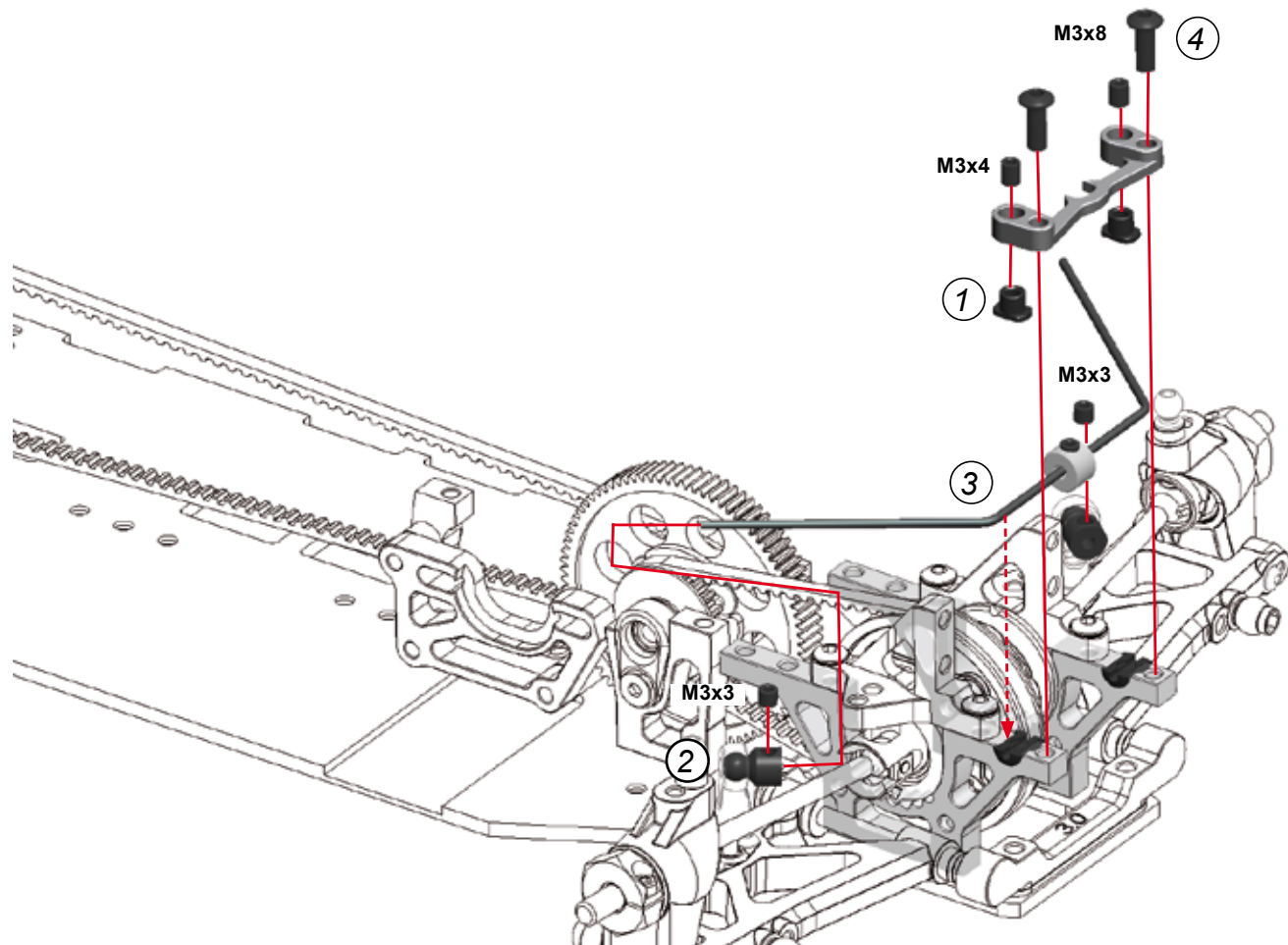


TIP
Make sure to use correct size
nylon wire-insert for anti-roll bar



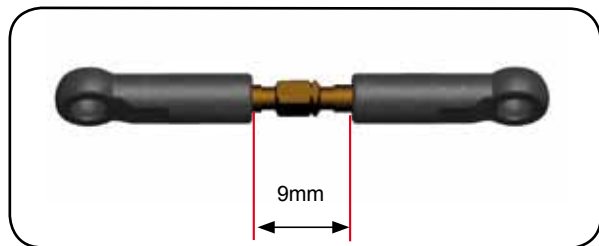
1.4MM





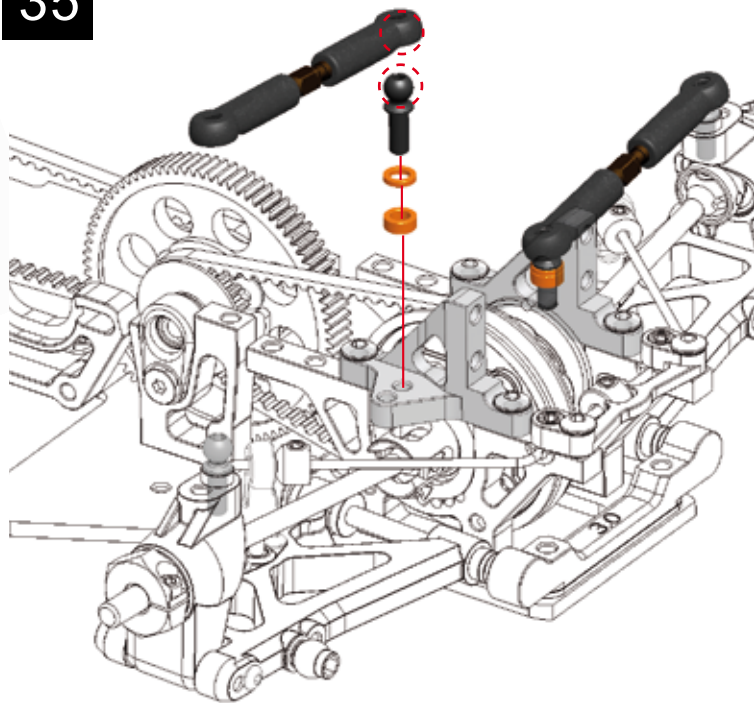
A

34



A

35



A

36

BAG
6

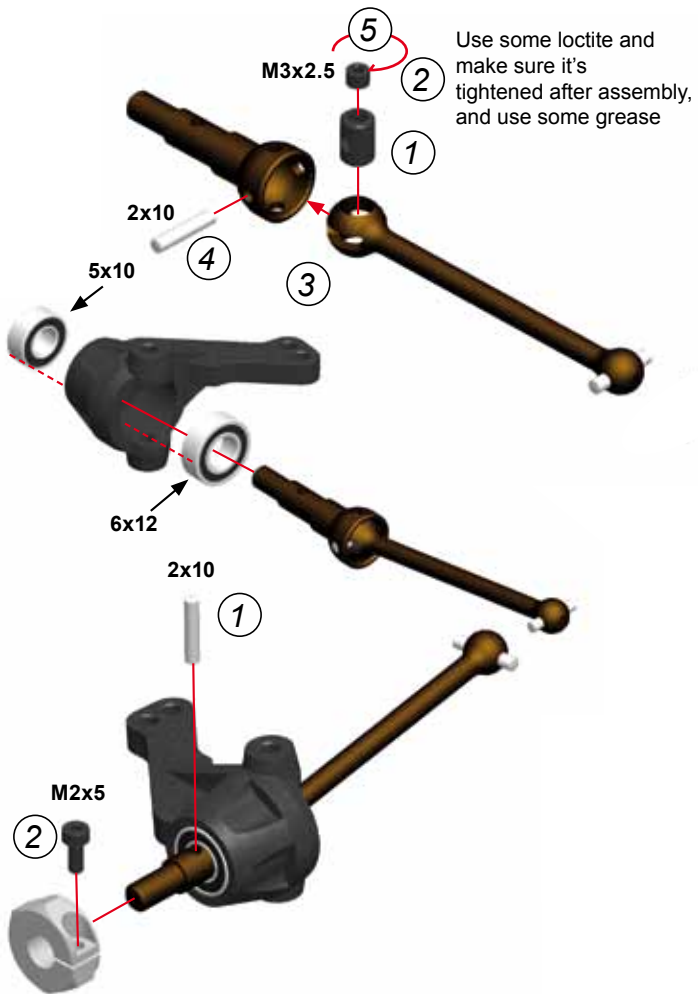
A

37

A

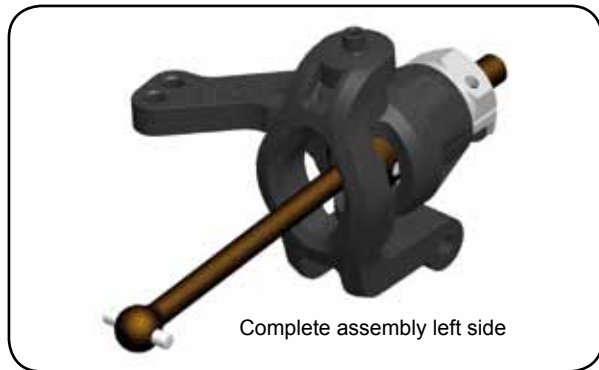
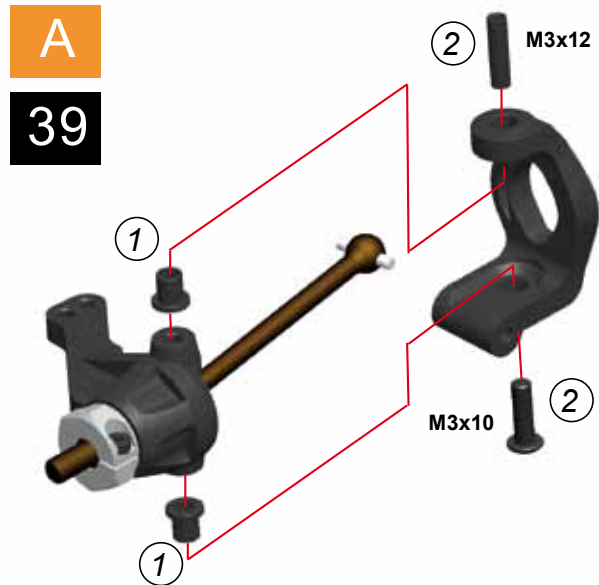
38

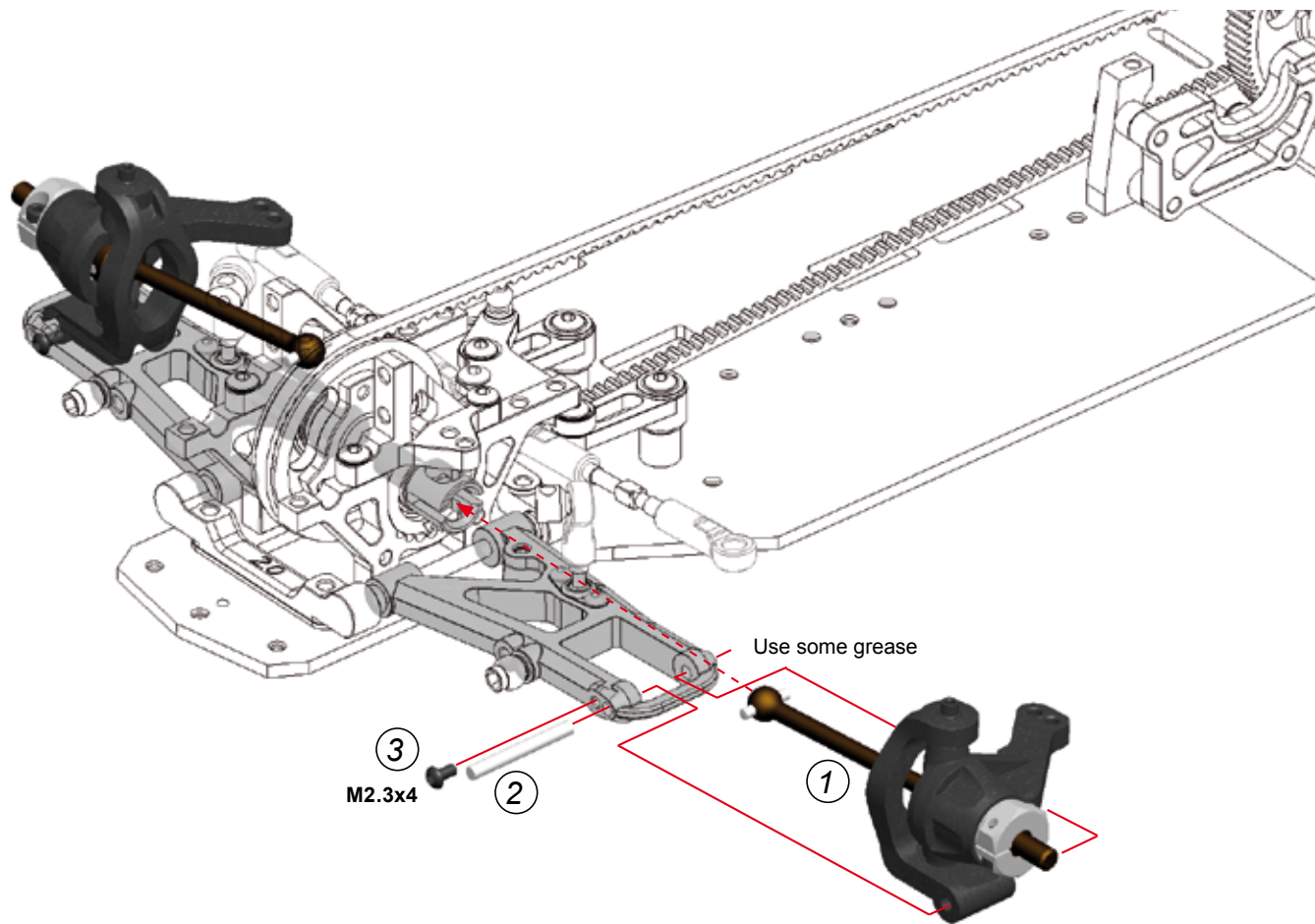
28

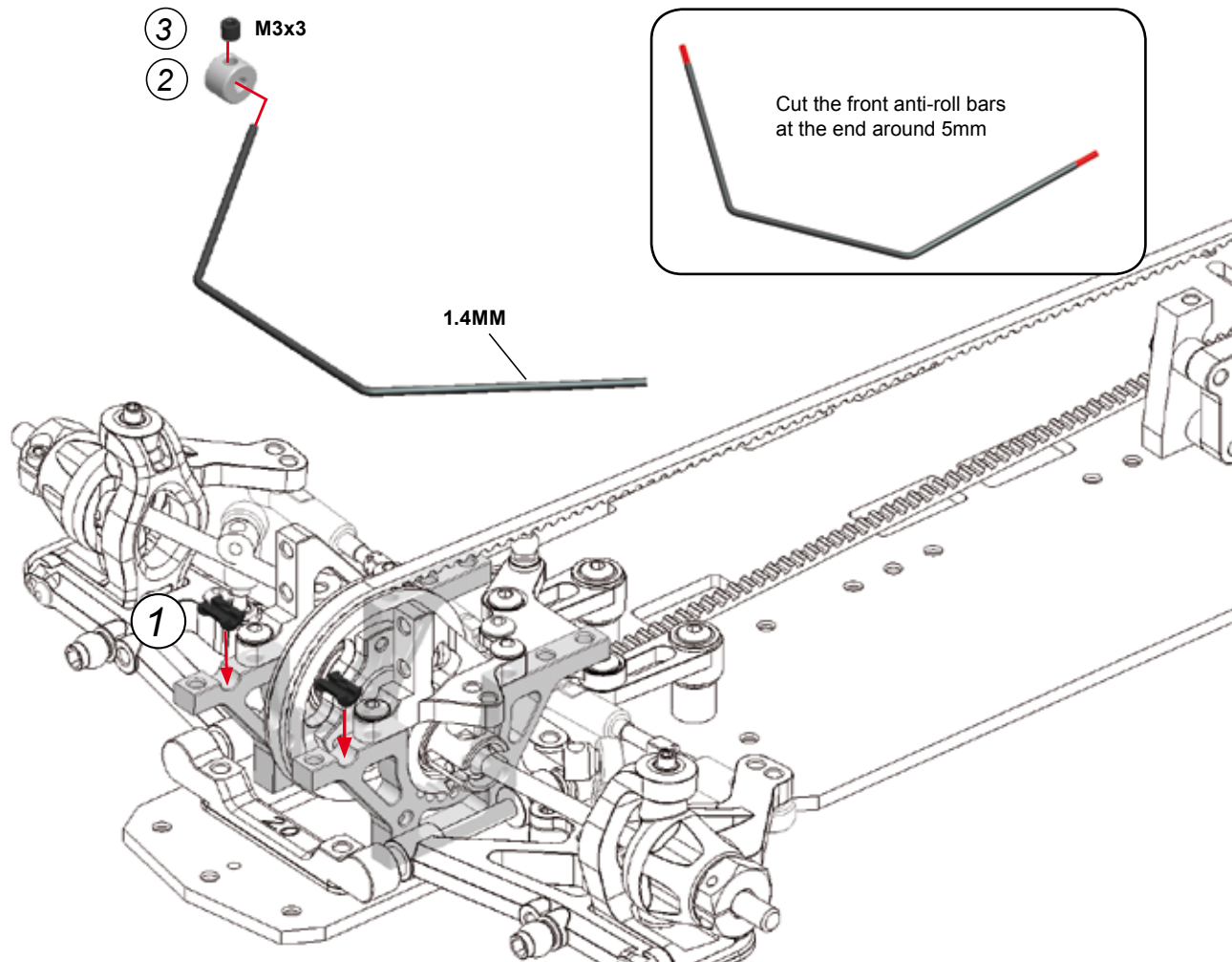


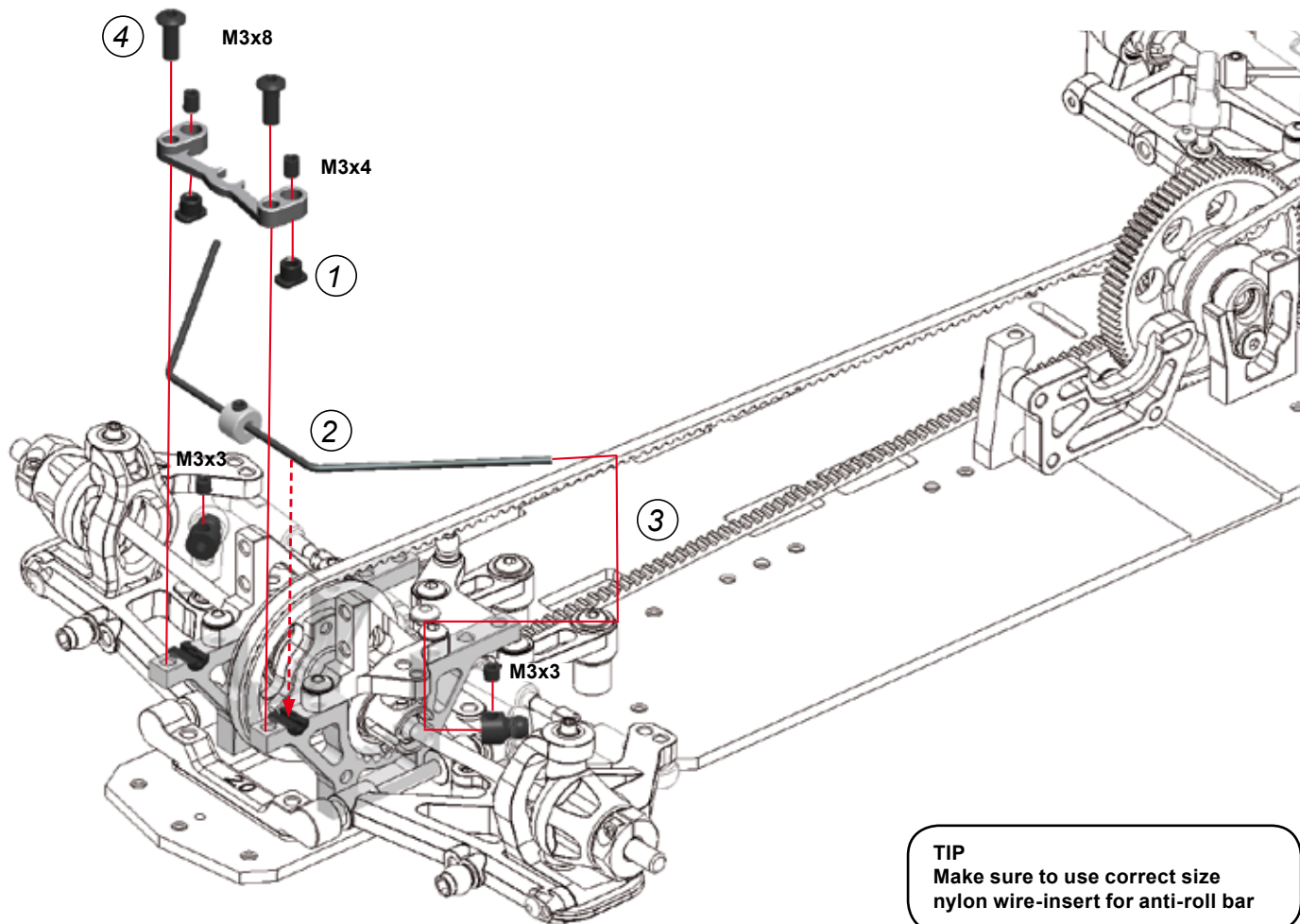
A

39



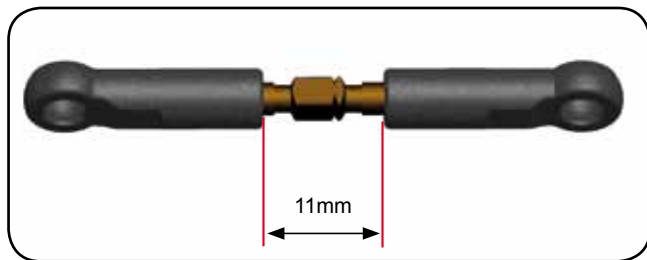
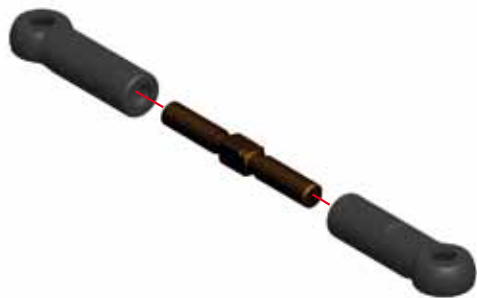






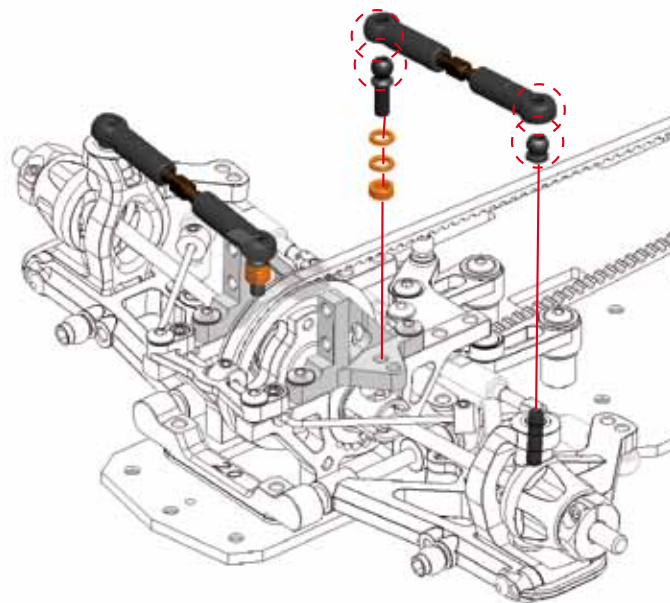
A

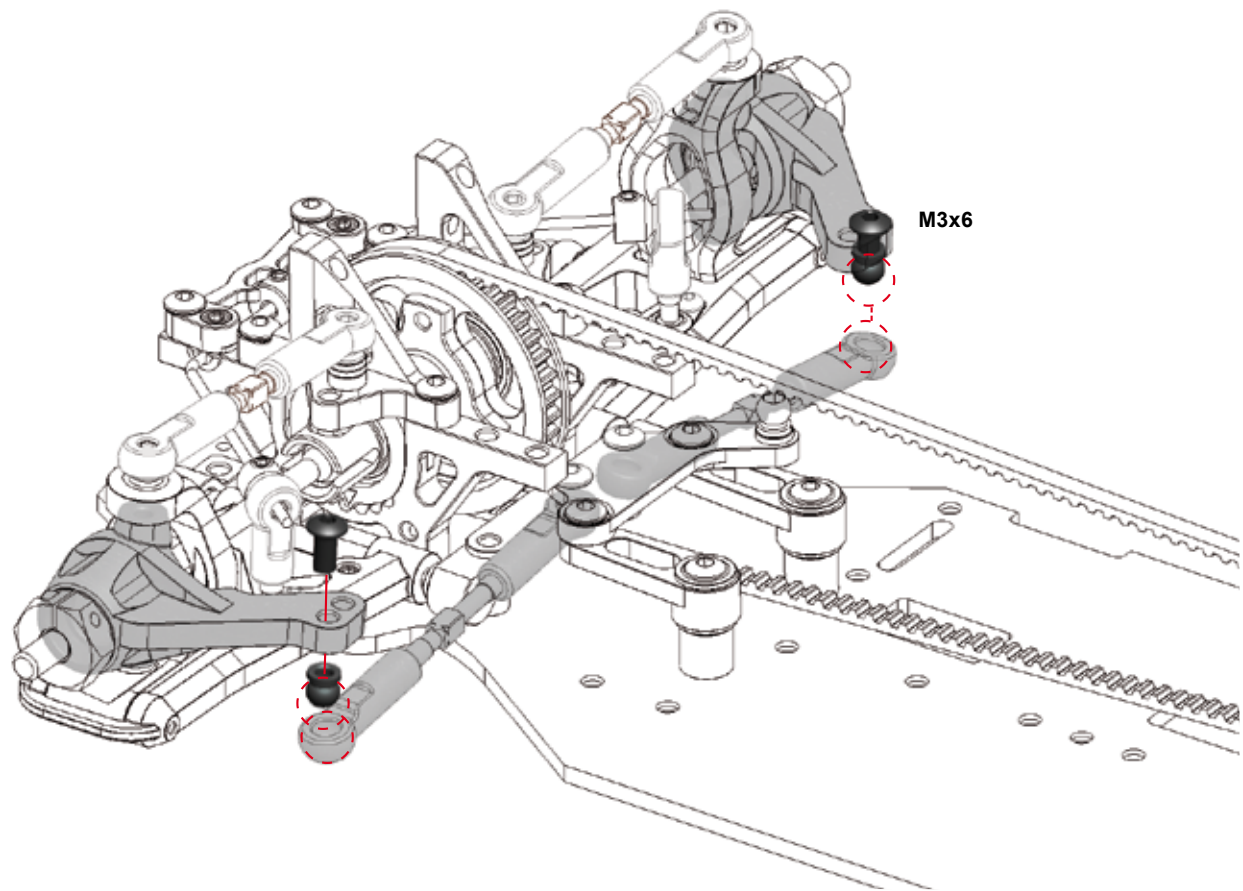
43



A

44





A

46

BAG

7



Unscrew the bottom half of the pre-assembled shock absorbers.



Fill the shock body with the supplied shock absorber oil.



BLEEDING

Let the oil settle and allow the air to escape

A

48

With the shock body filled with oil, slowly screw the bottom half of the pre-assembled shock back onto the shock body **IMPORTANT!** Do not cross thread!



A

49

Front spring: orange
Rear spring: yellow



make sure you are able to push the shock-piston all the way in. If you are not able to do, re-open the shock and let some oil bleed out

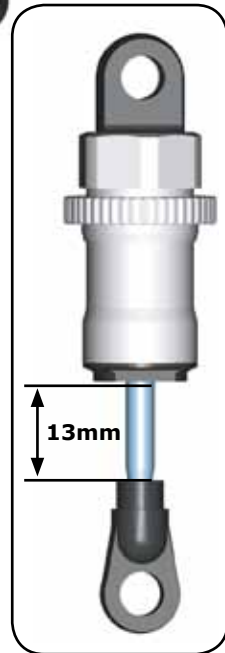


1

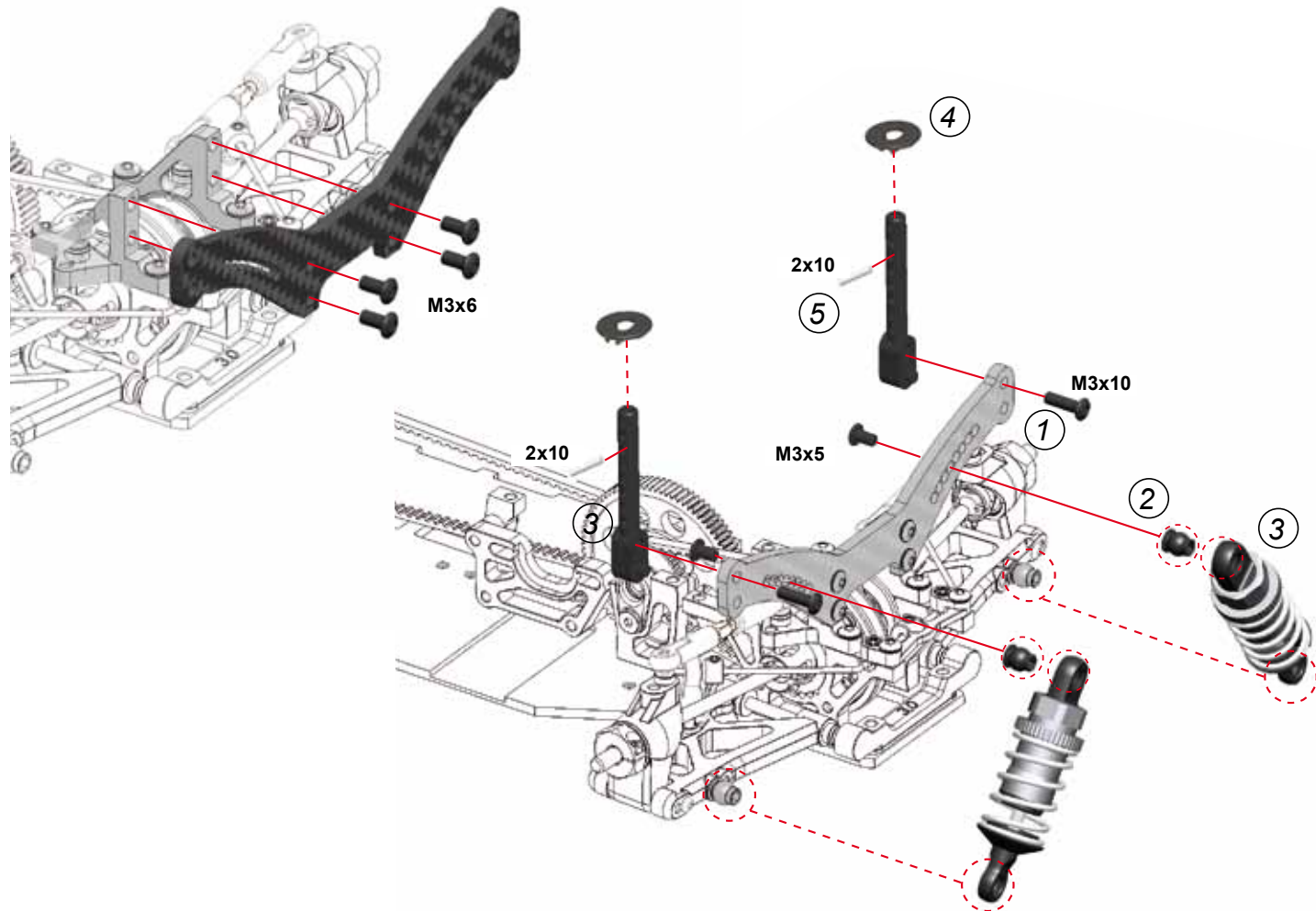


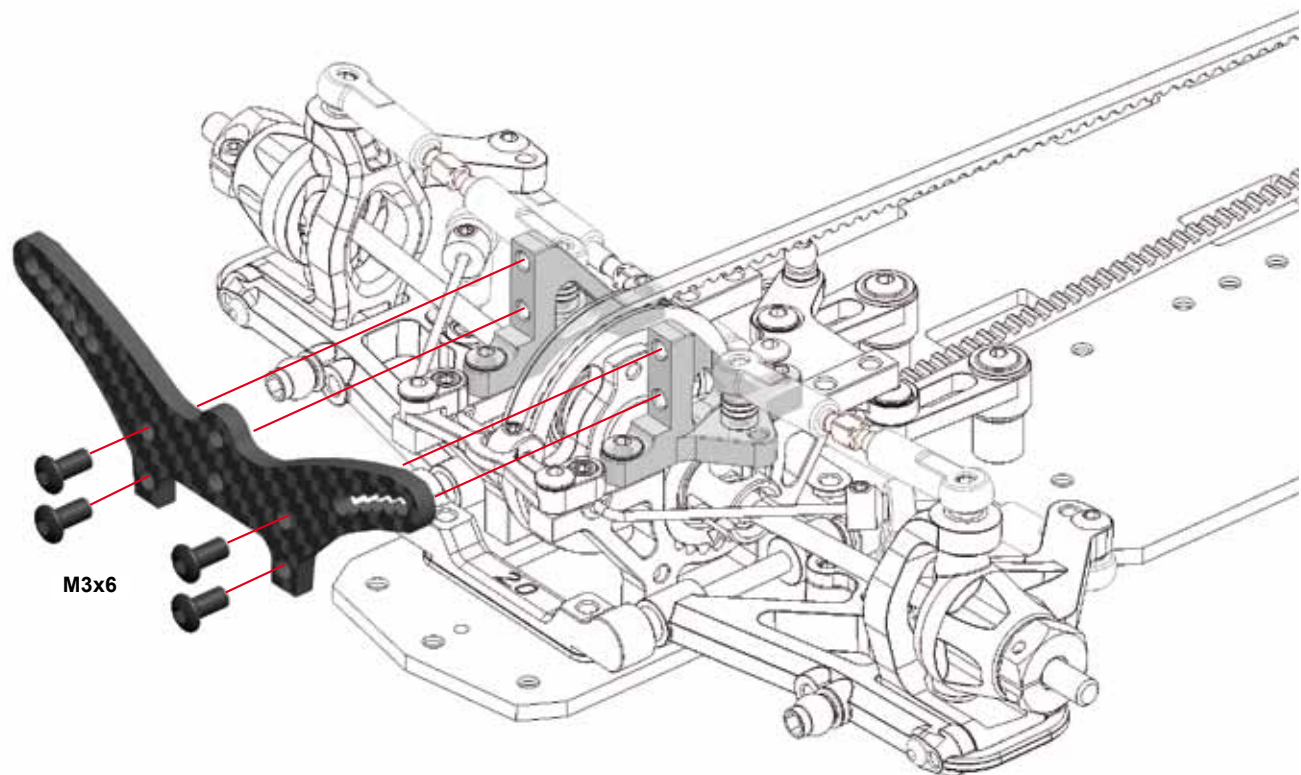
2

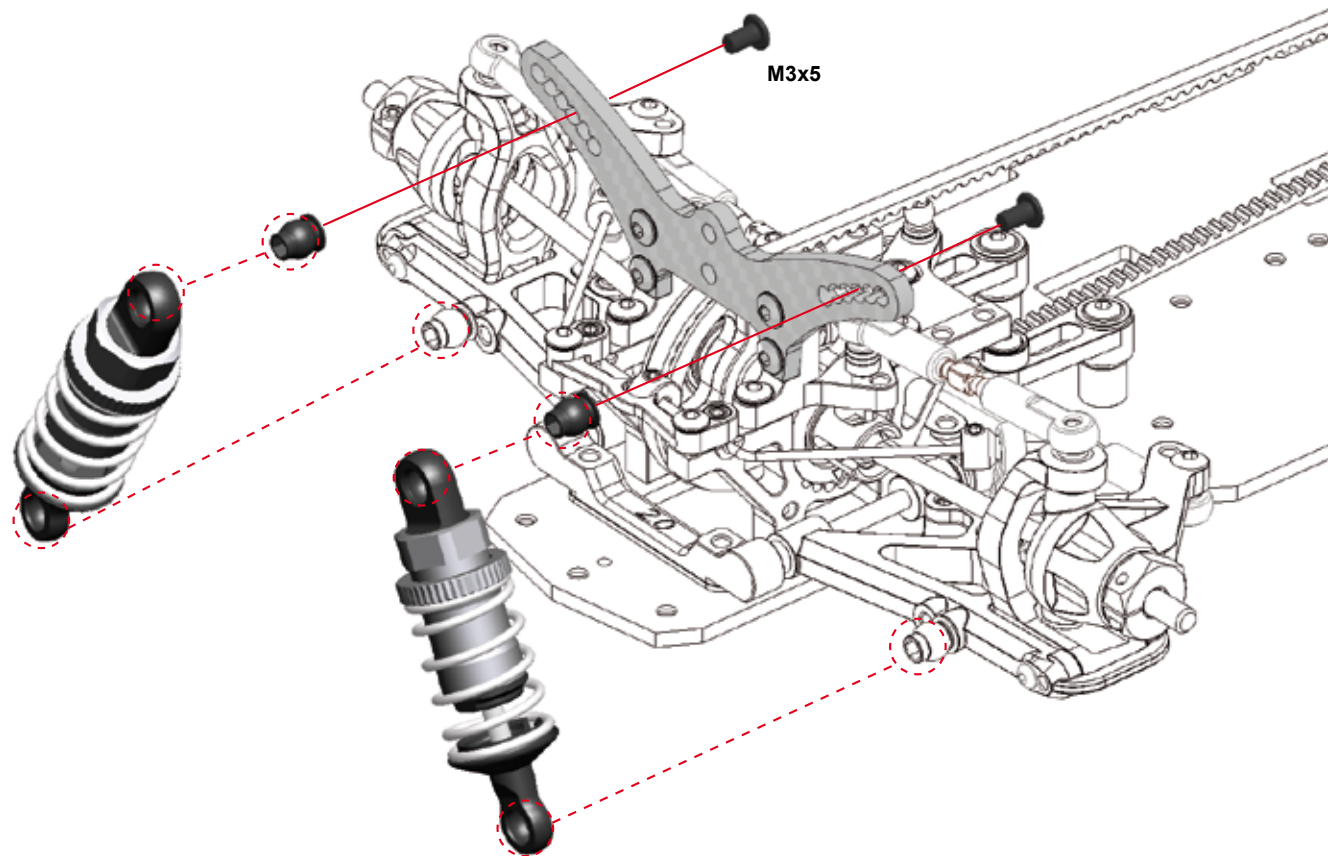
Allow some 'rebound' on the shockshaft. A rebound of more than 6mm is normal

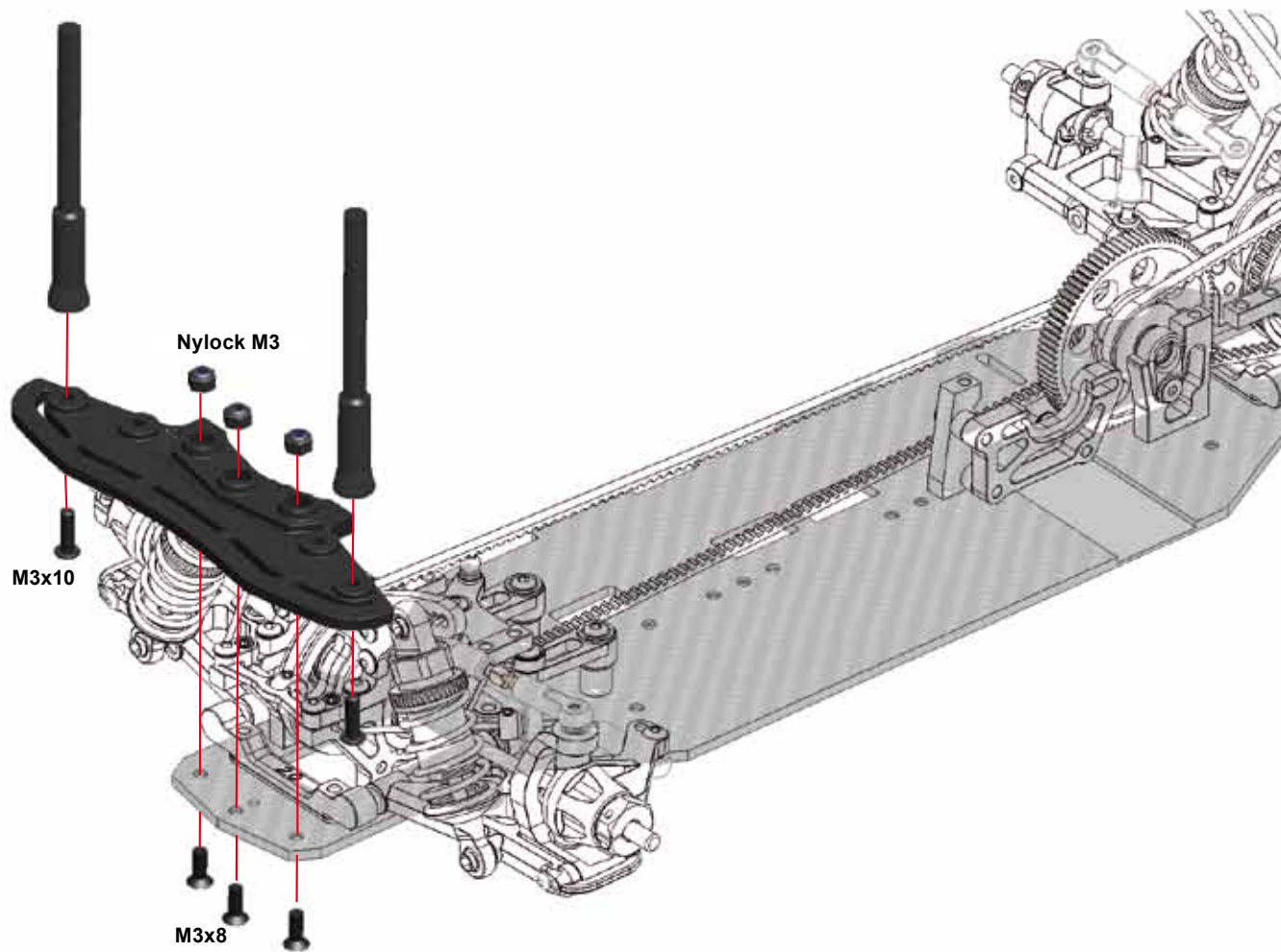


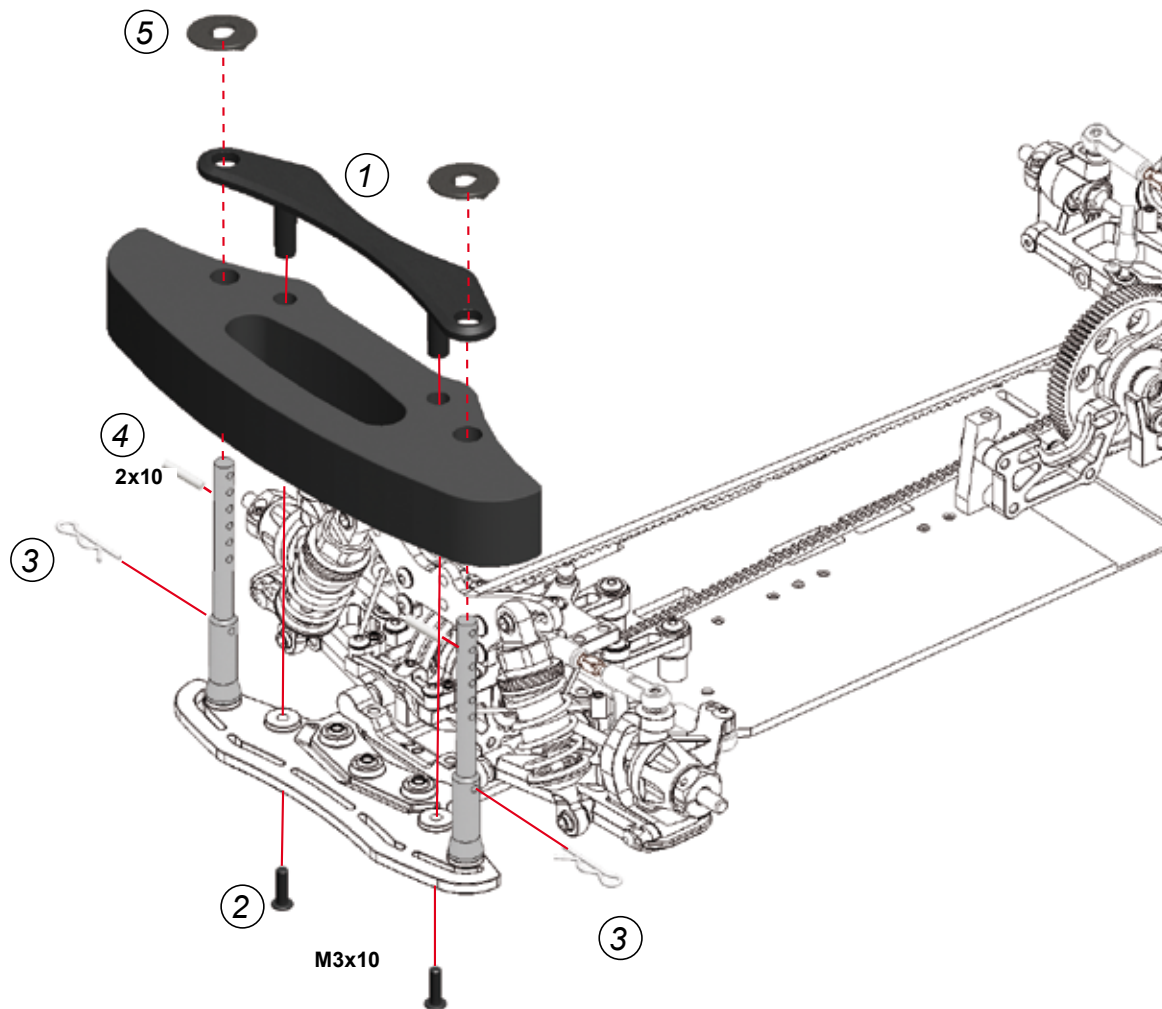
13mm

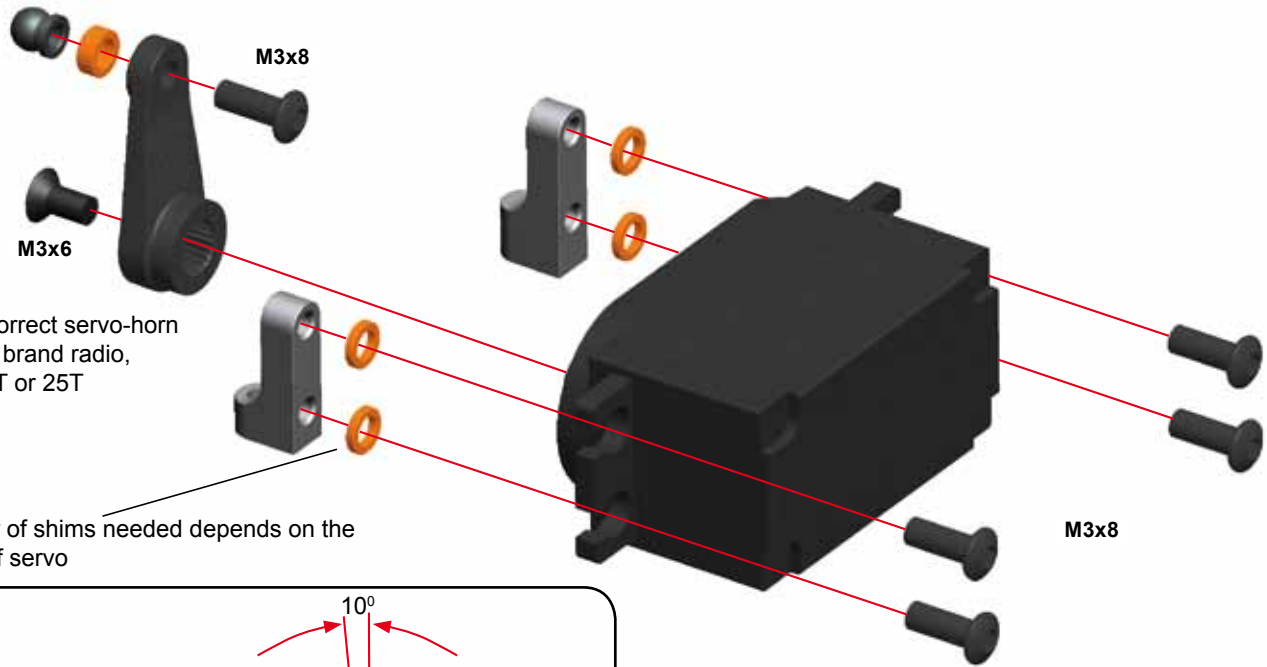






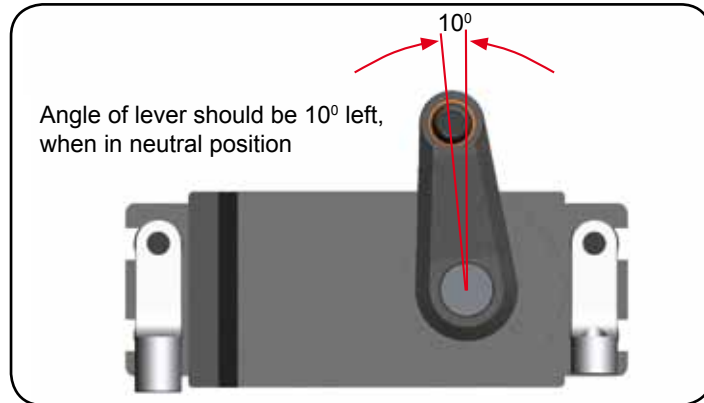




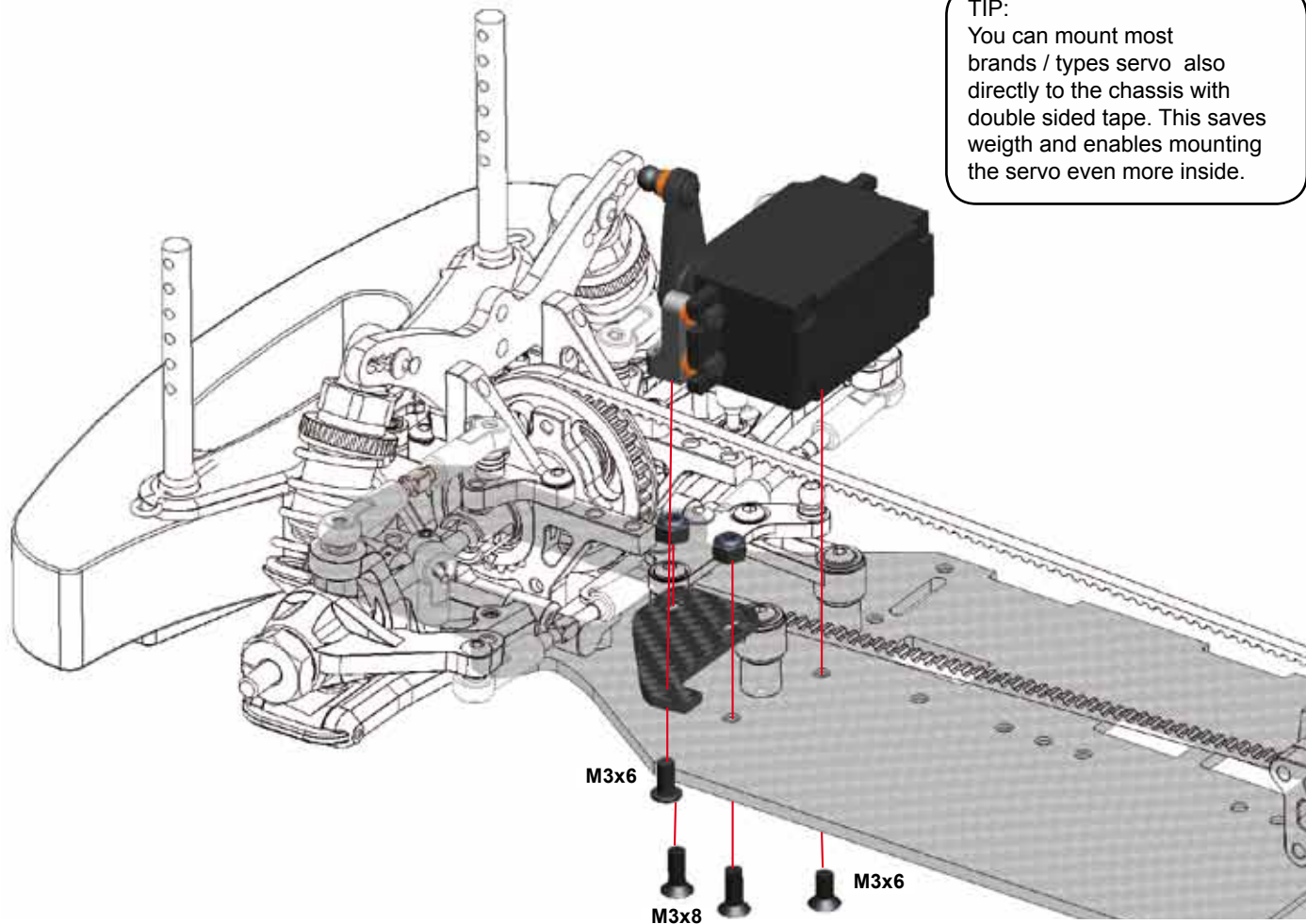


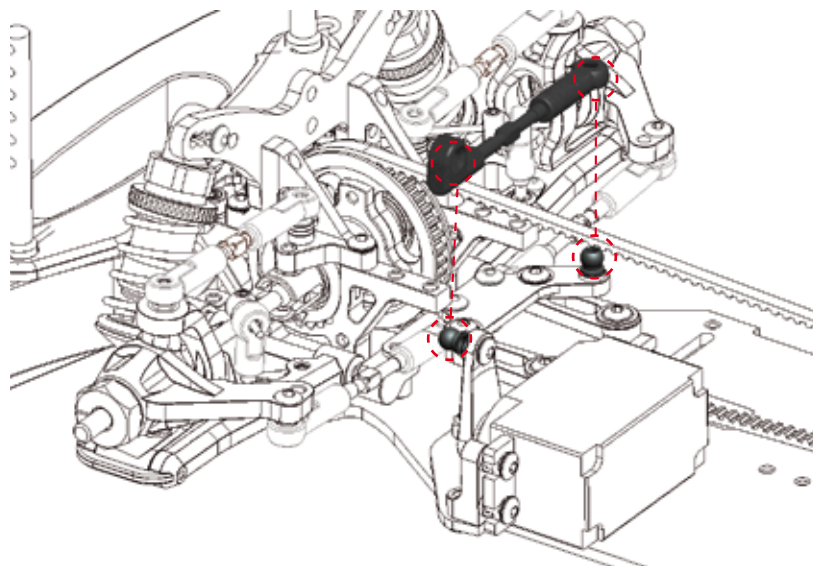
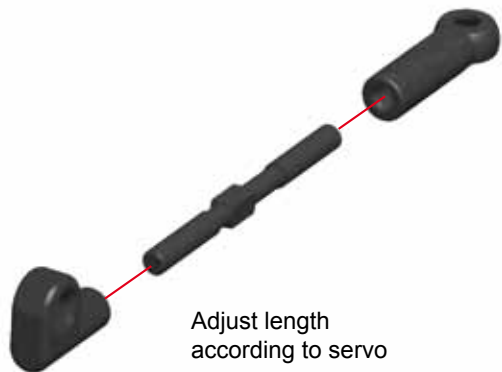
select correct servo-horn
for your brand radio,
23T, 24T or 25T

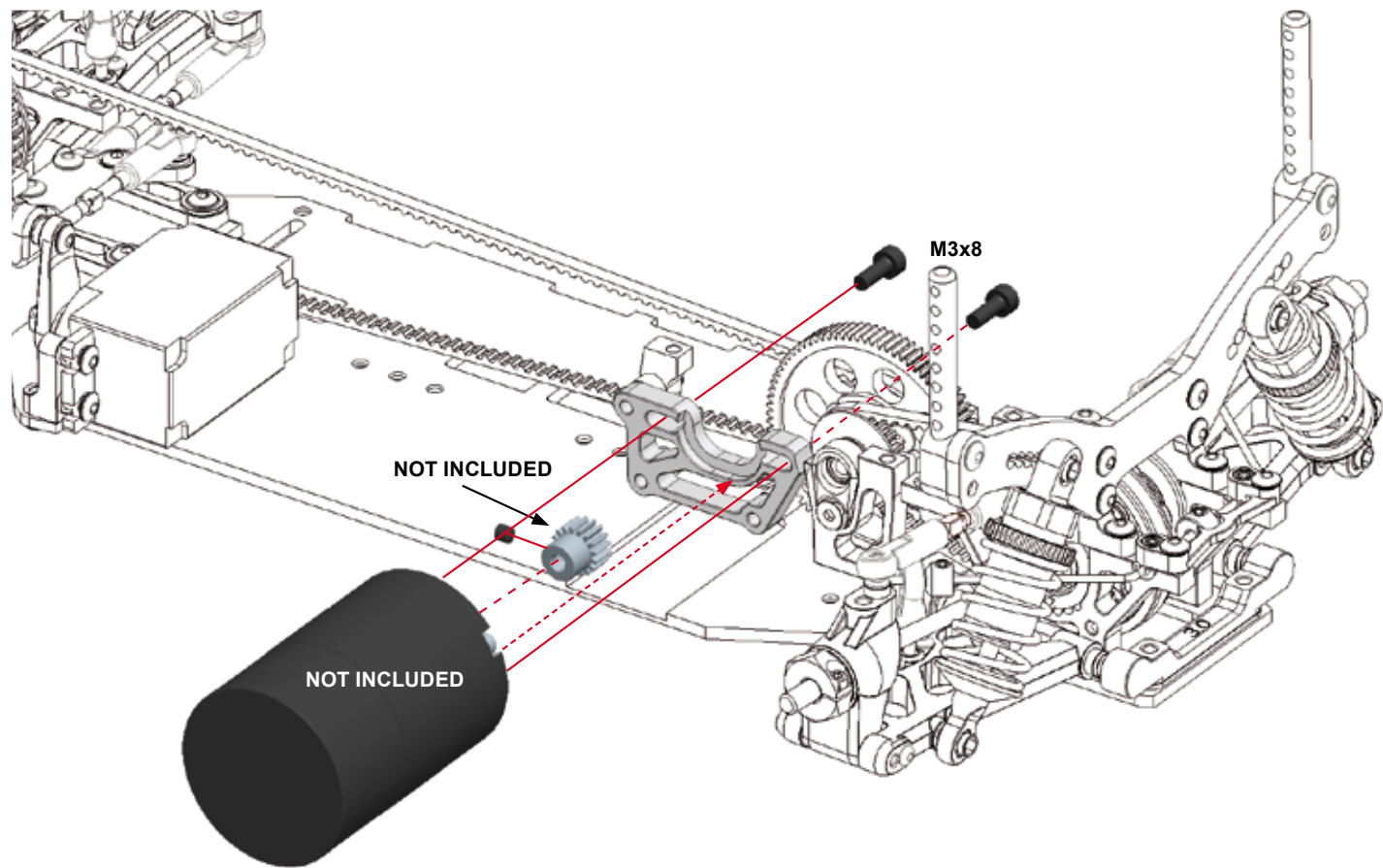
Number of shims needed depends on the
brand of servo

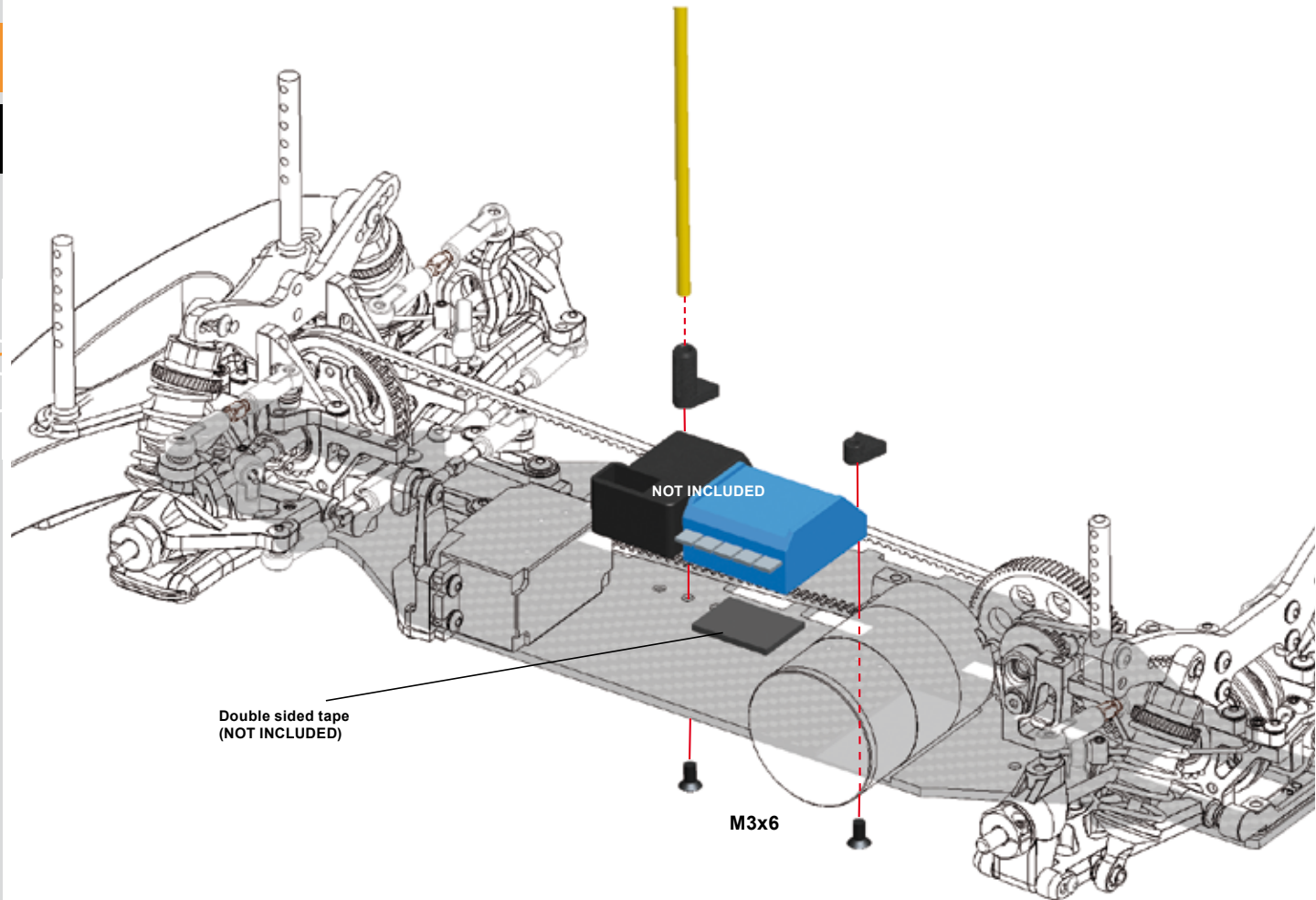


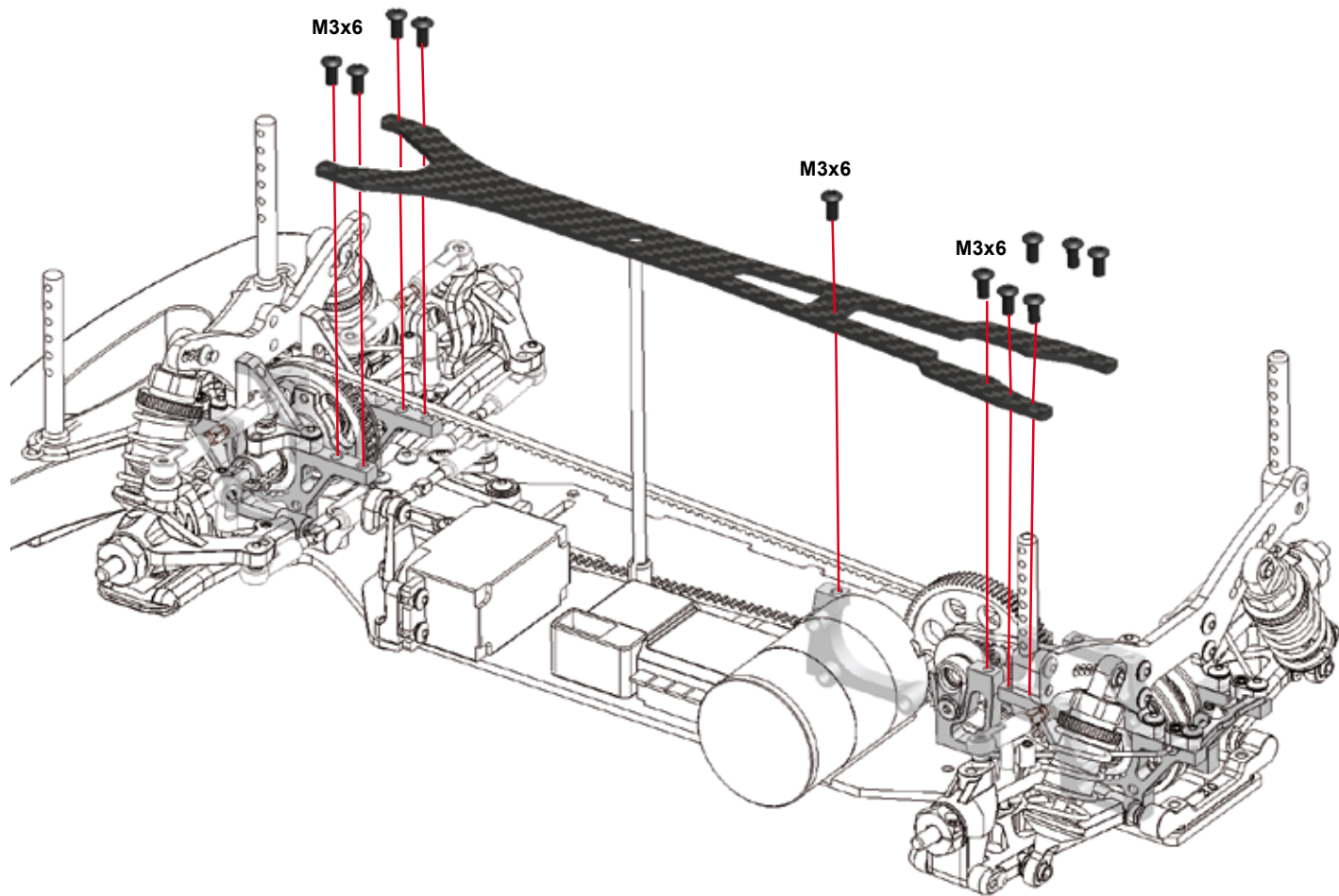
TIP: In case you prefer to use a servo-saver,
then mount it directly to the servo, instead of
the servo-horn (servo-saver is not included)

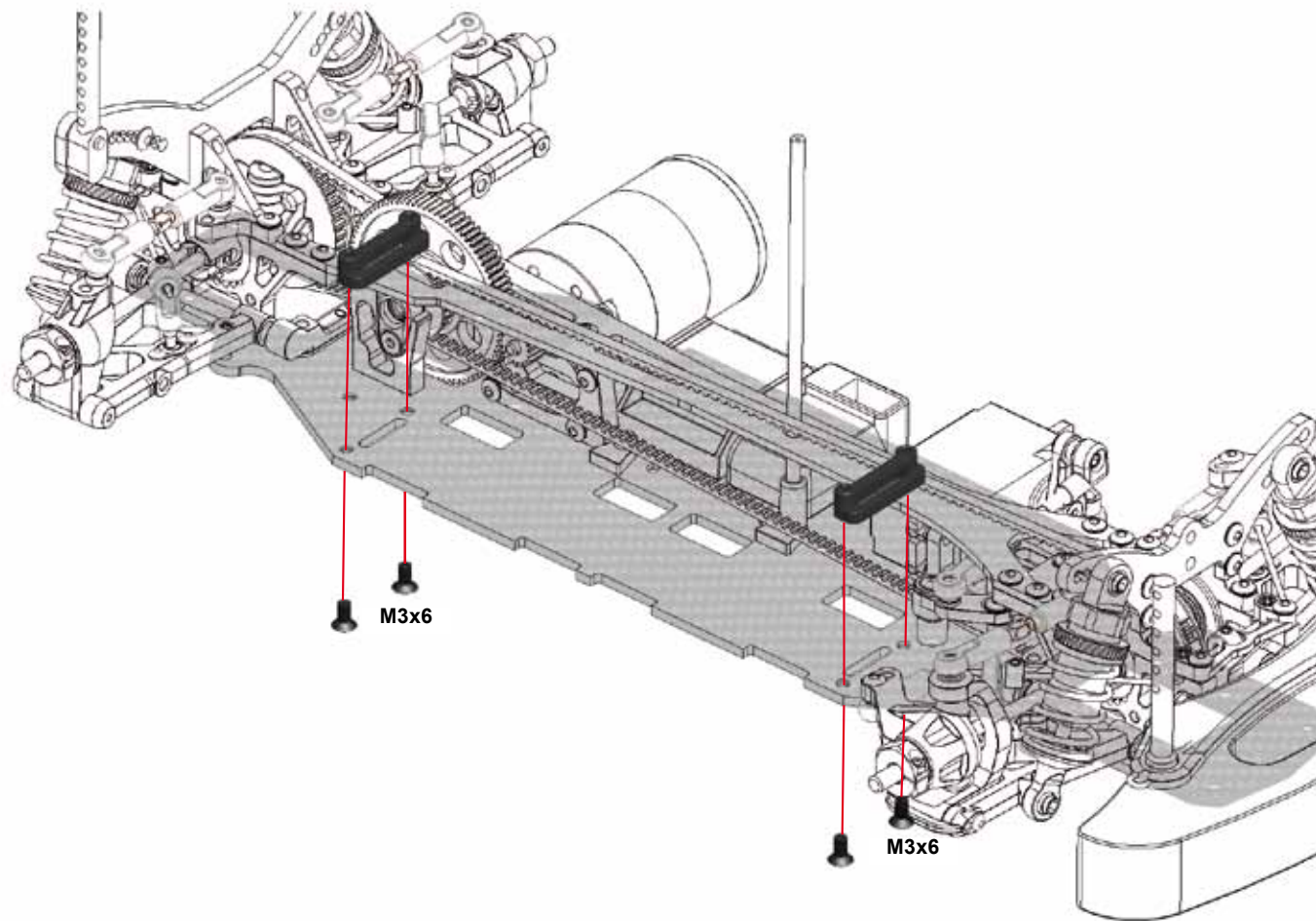


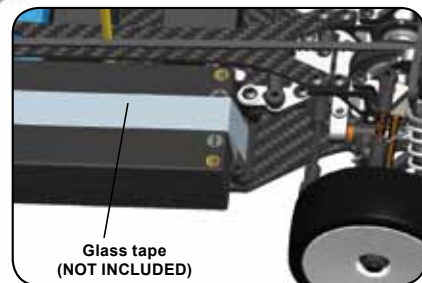
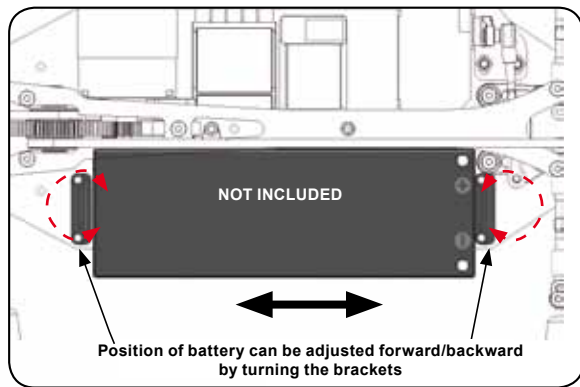
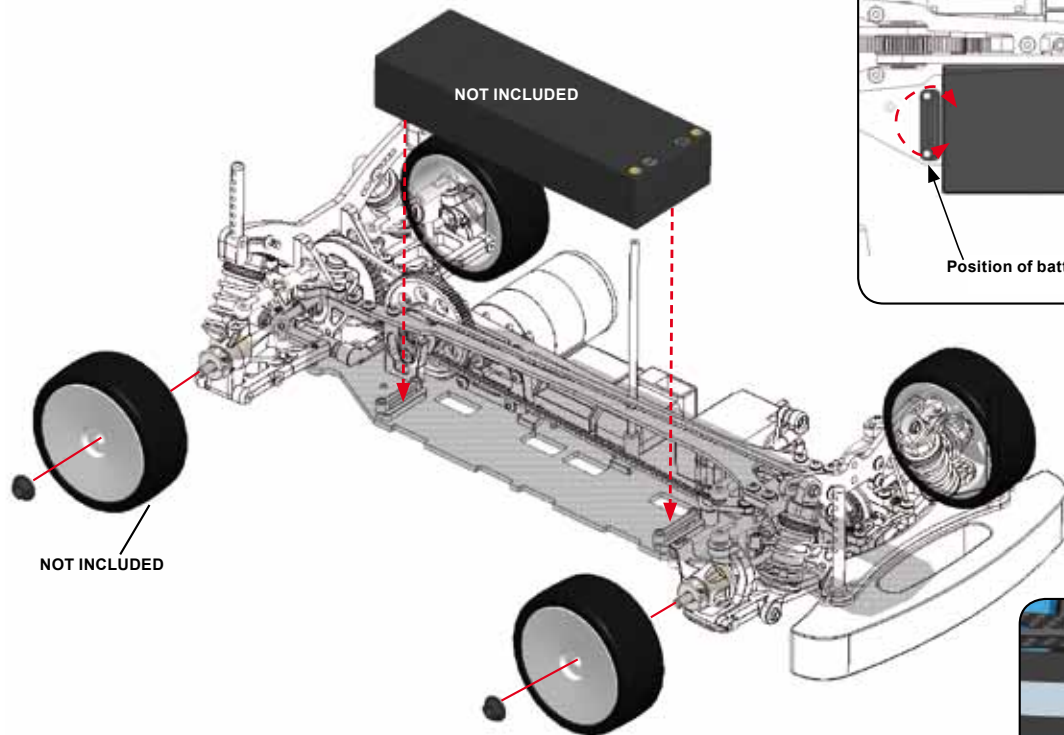








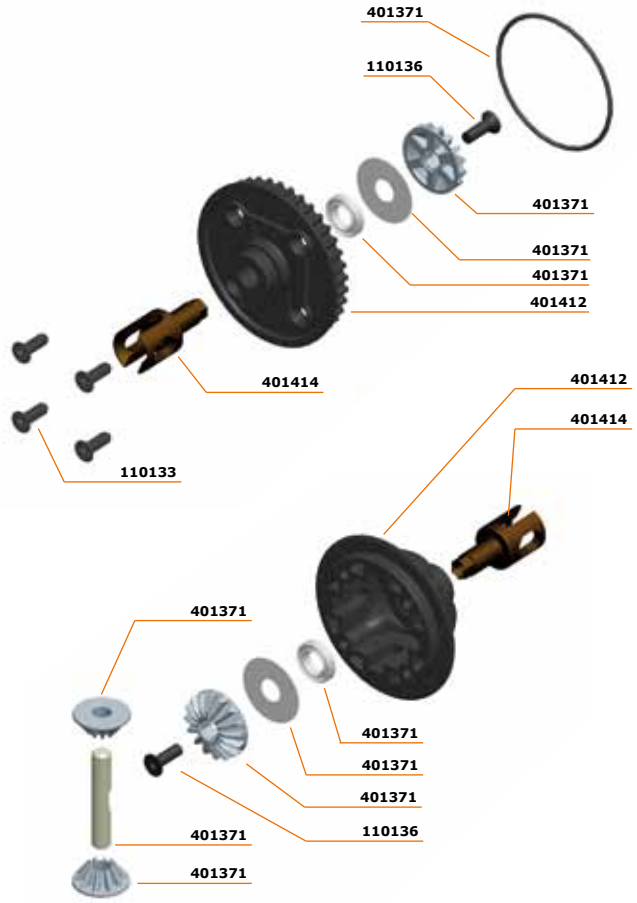




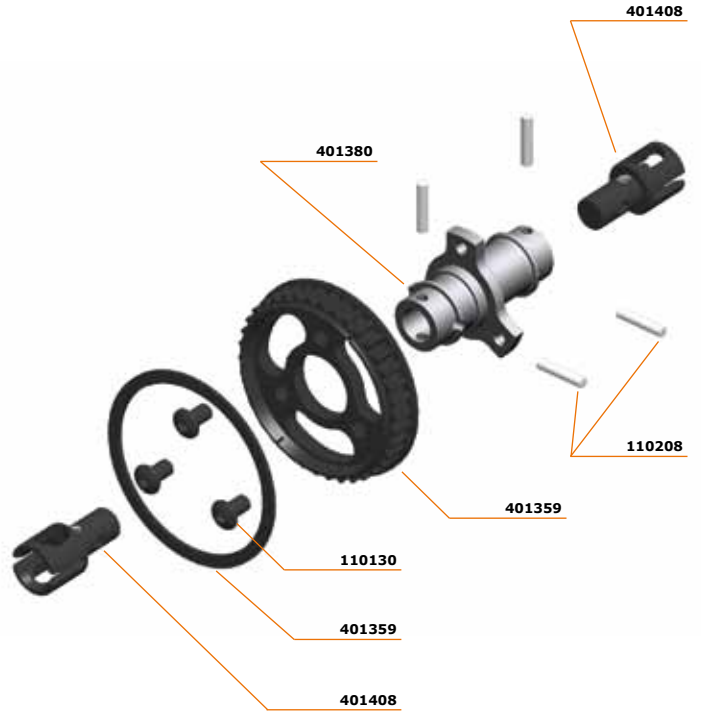
REFERENCE GUIDE

The page features a decorative graphic consisting of three wavy lines that span the width of the page. One line is orange and the other two are black. They overlap and create a layered, fluid effect across the middle of the page.

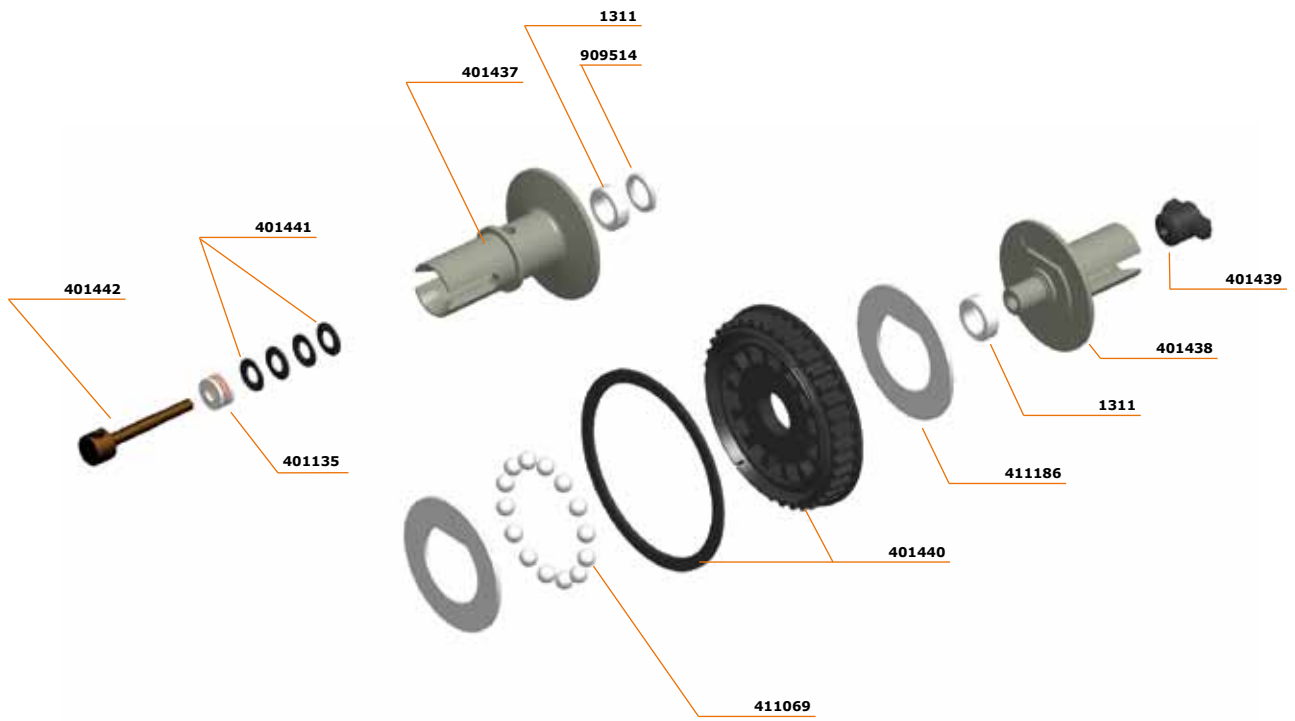
DIFFERENTIAL ASSEMBLY



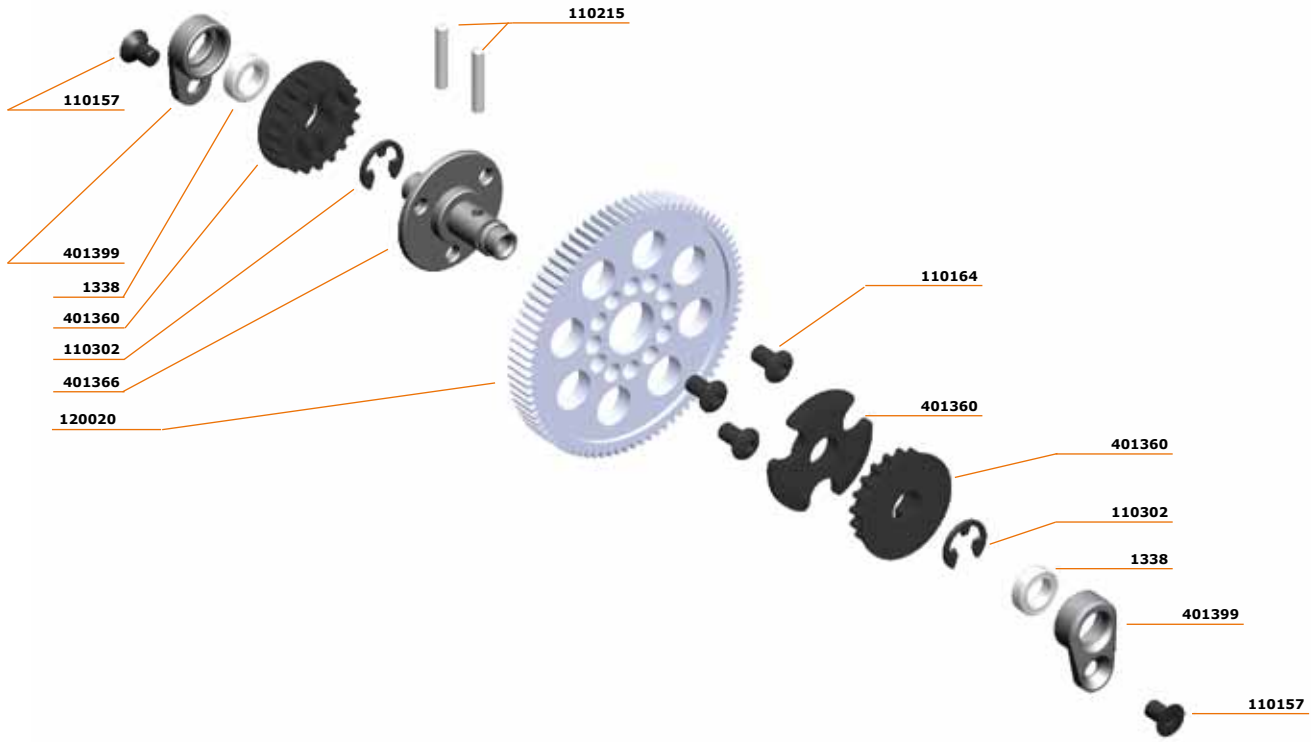
SOLID FRONT AXLE ASSEMBLY

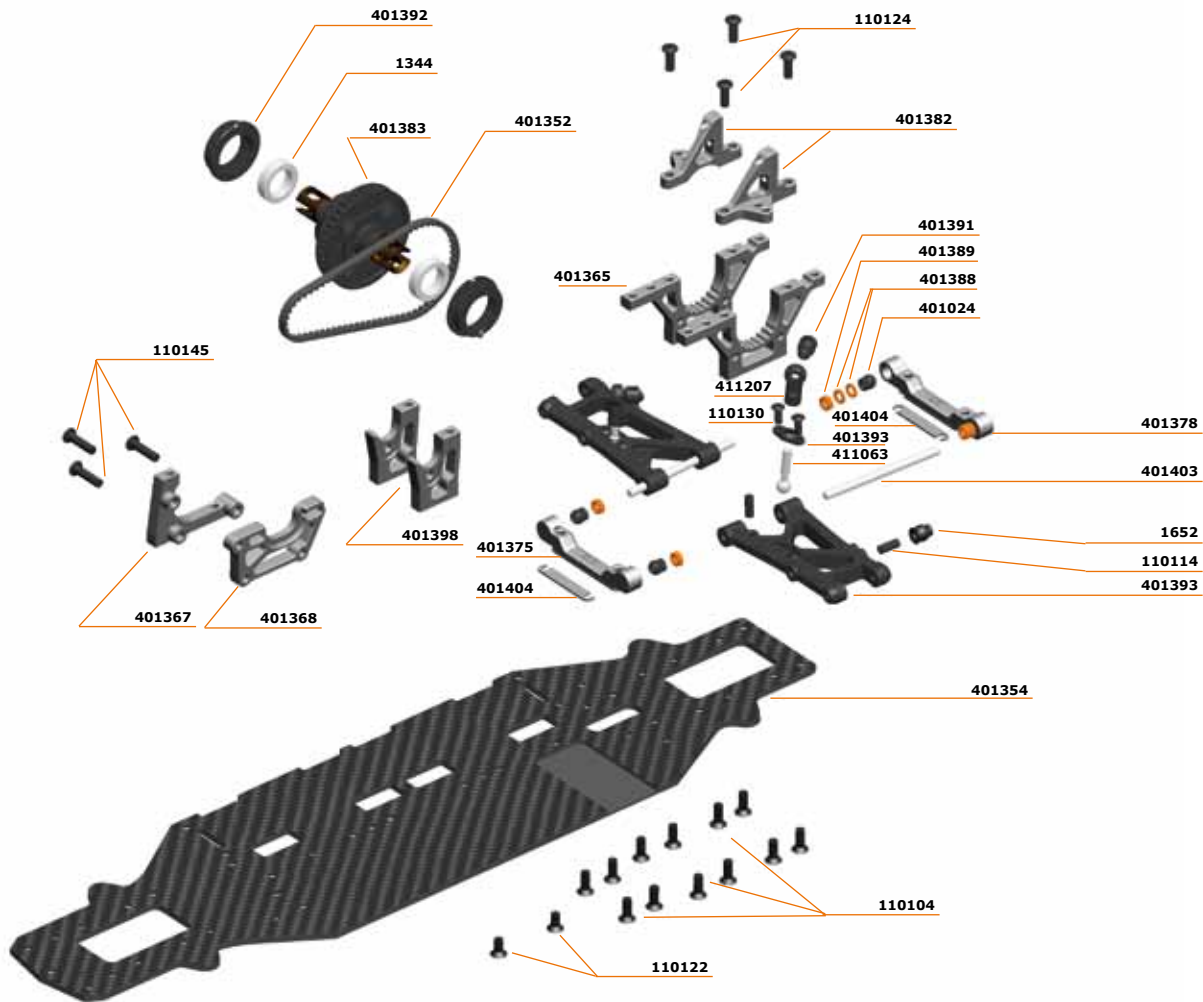


Optional (not included in the kit)
Ball-differential set #401436

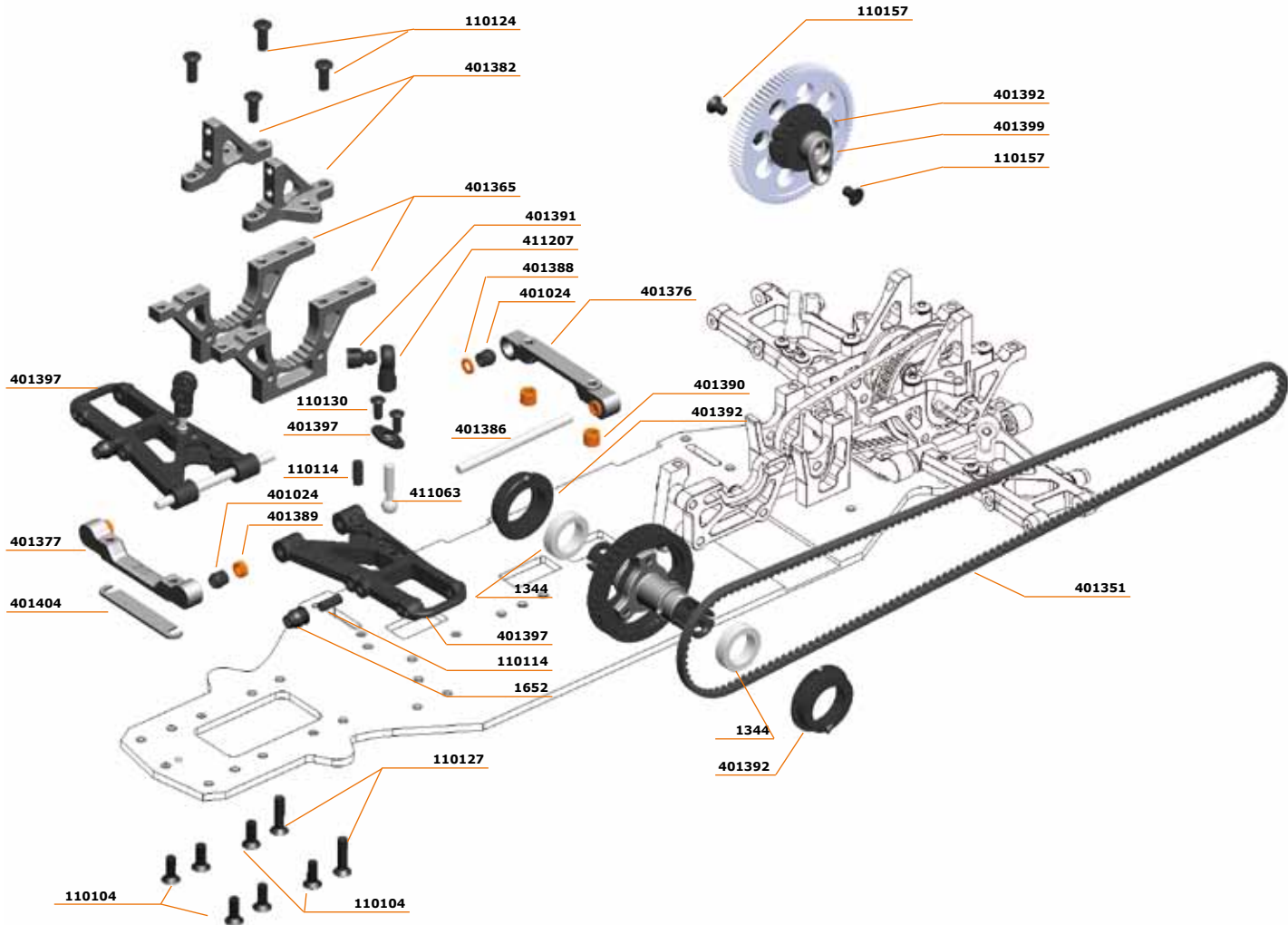


CENTRAL GEAR ASSEMBLY

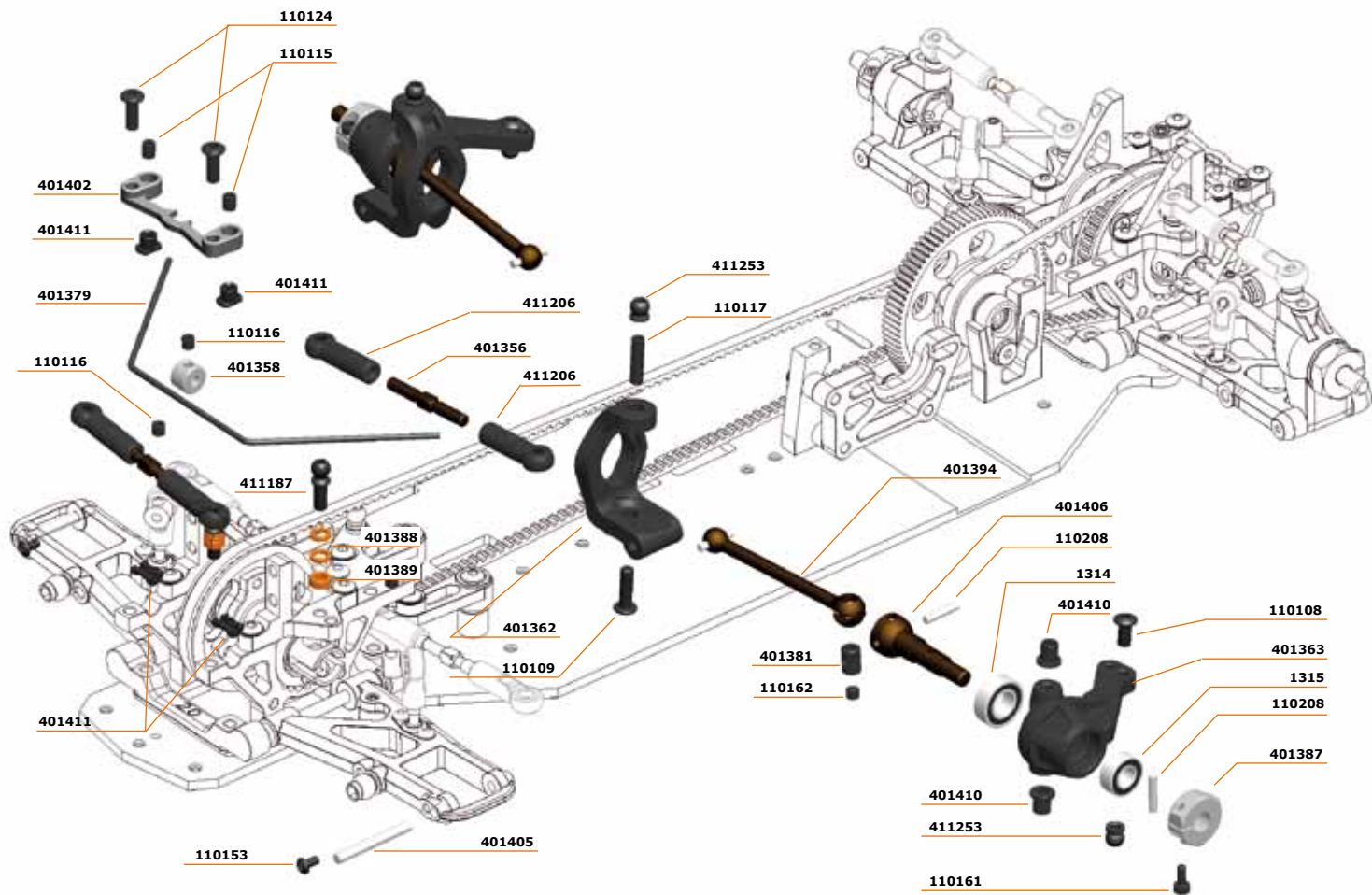




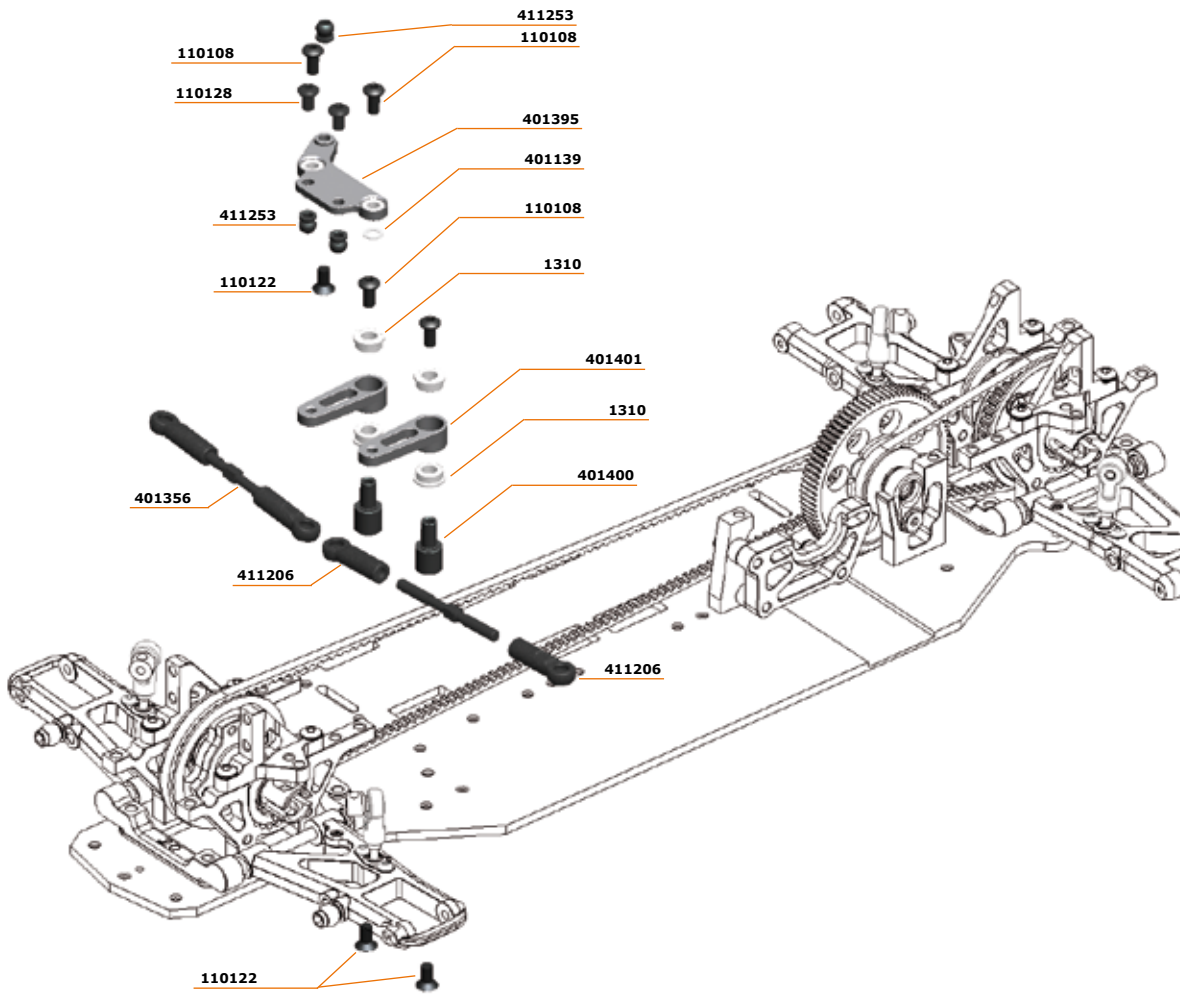
FRONT ASSEMBLY

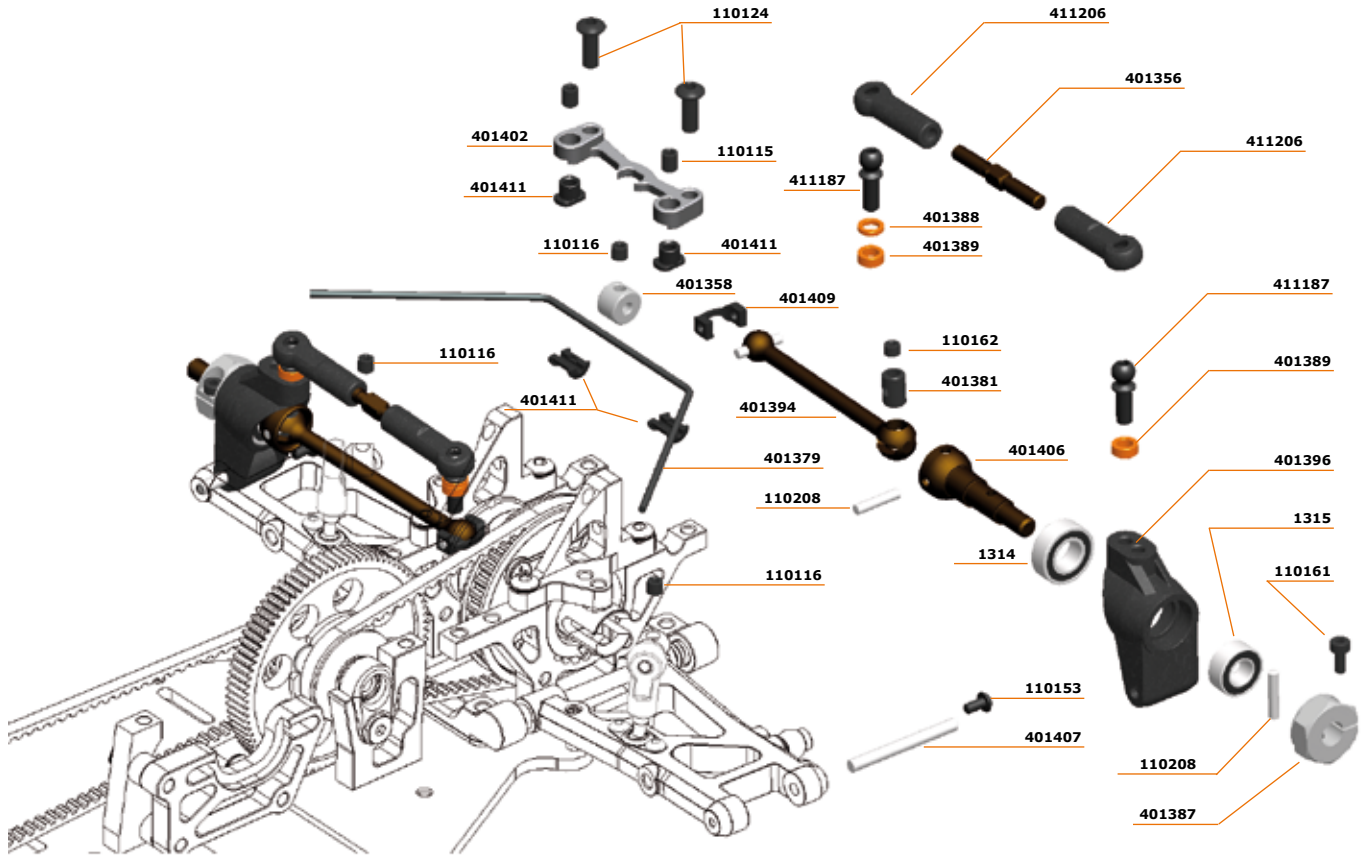


FRONT SUSPENSION ASSEMBLY

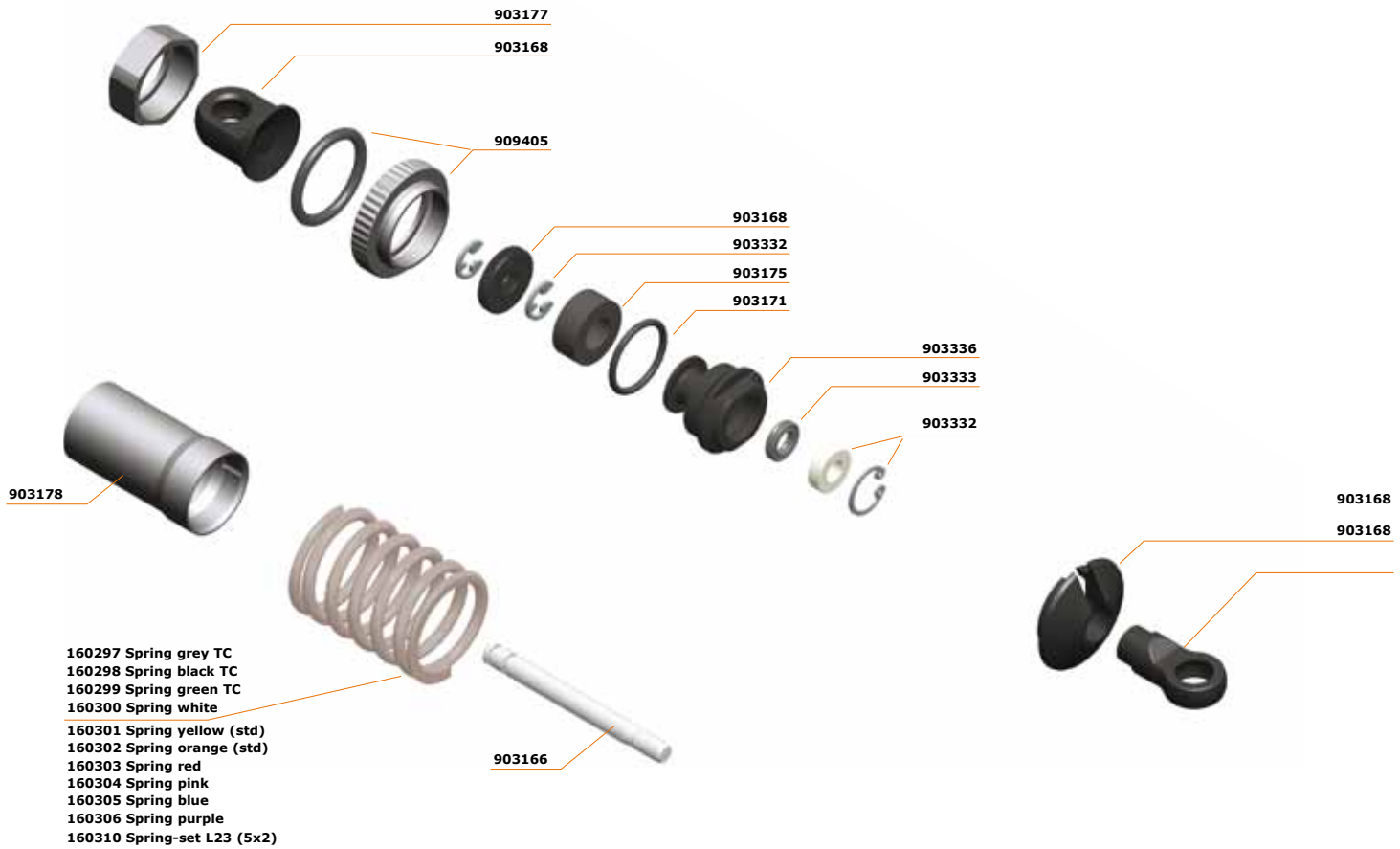


STEERING ASSEMBLY





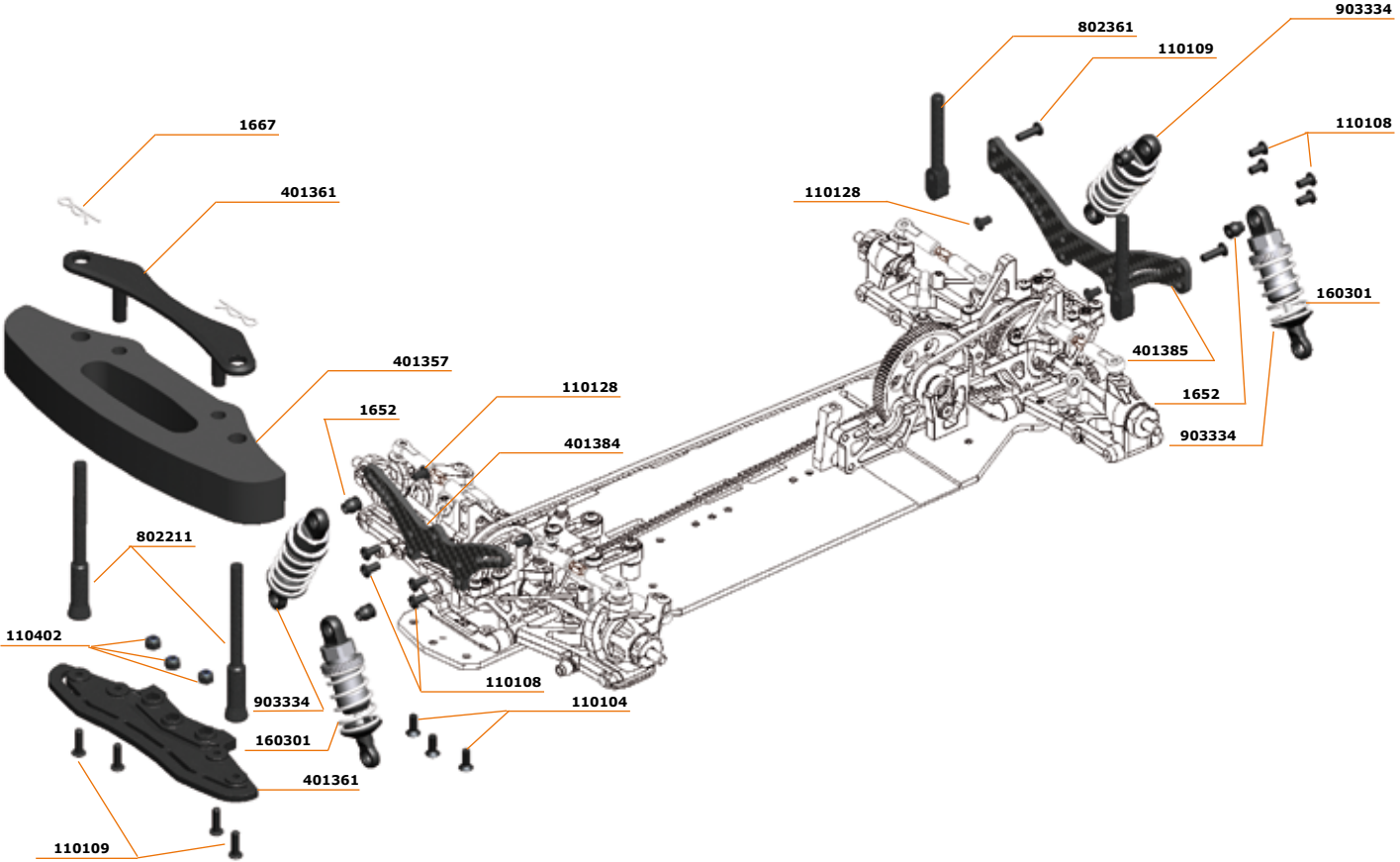
SHOCK ASSEMBLY

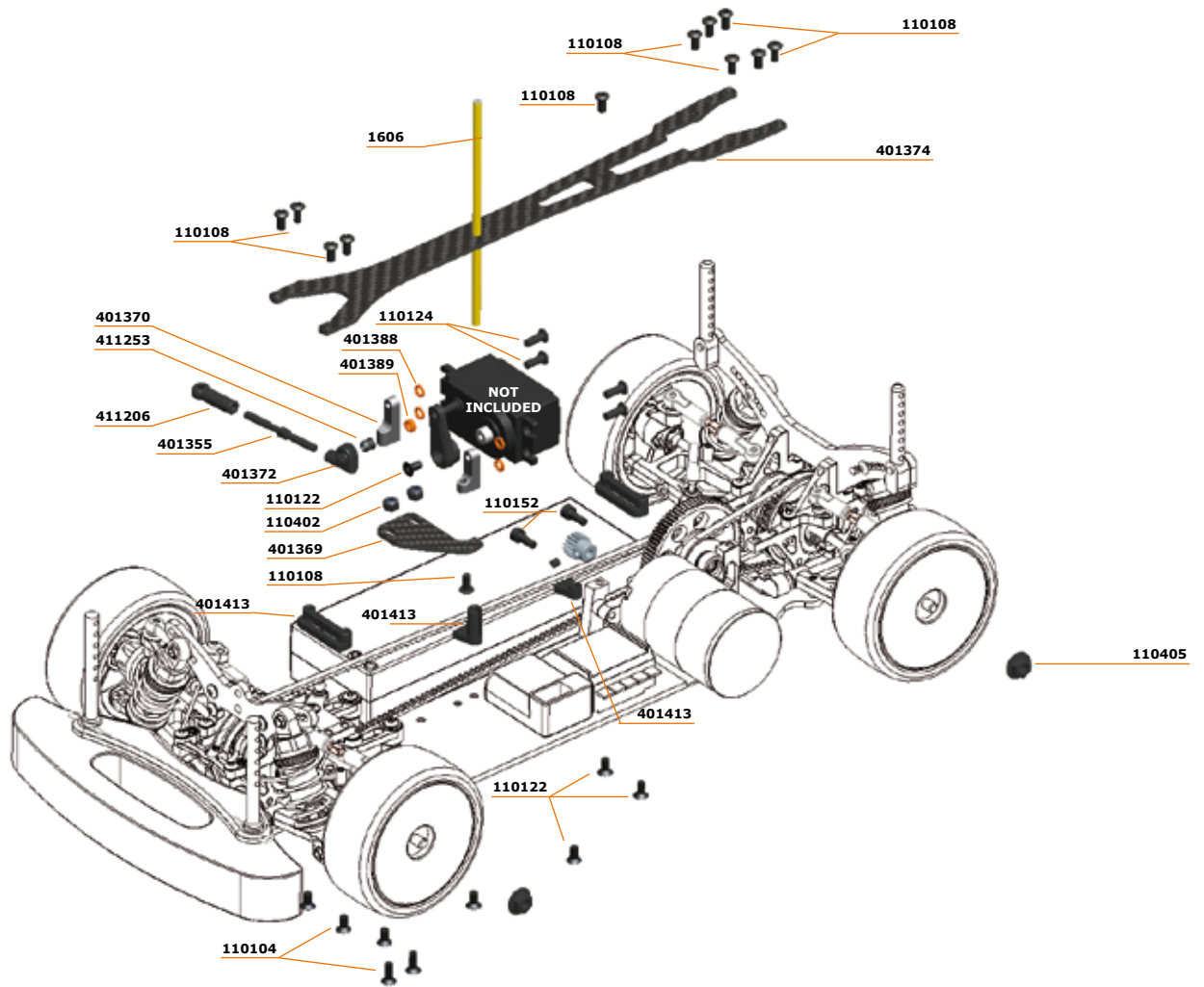


- 160297 Spring grey TC
- 160298 Spring black TC
- 160299 Spring green TC
- 160300 Spring white
- 160301 Spring yellow (std)
- 160302 Spring orange (std)
- 160303 Spring red
- 160304 Spring pink
- 160305 Spring blue
- 160306 Spring purple
- 160310 Spring-set L23 (5x2)

#903332 - Shock RCCX revision set (2)
 #903334 - RCCX shock-set short (2)

TOWER / BUMPER MOUNTING





400005 SERPENT 411 1/10 EP Touringcar**MANUAL, DECALS**

- 401443 Manual S411 full color
- 401435 Decalsheet S411 black-white (2)
- 401456 Decalsheet S411 chrome (2)

RADIO INSTALLATION

- 401369 Servomount plate
- 401370 Servomount L+R
- 401372 Servo-lever (4)
- 401388 Bushing alu 3x5x1 (10)
- 411253 Pivotball uni 4.5mm (4)

SERVO SAVER AND STEERING

- 401355 Trackrod M3x38mm (2)
- 401400 Steering shaft (2)
- 401401 Steering lever (2)
- 411206 Balljoint 4.5 (4)
- 411253 Pivotball uni 4.5mm (4)

Optionals

- 401429 Trackrod alu (2)
- 401465 Steeringrack V2
- 401466 Steering shaft alu (2)

SHOCK ABSORBERS

- 903166 Rod shockabsorber short (2)
- 903168 Frame shockabsorber nylon
- 903175 Foam insert (4)
- 903177 Shocknut alu (2)
- 903178 Housing shock alu short (2)
- 903332 Shock RCCX revision set
- 903333 X-ring RCCX shock (10)
- 903334 Shock-set RCCX short (2)
- 903336 Insert RCCX 2009 shock (2)
- 903347 Balljoint short shock (4)

Optionals

- 903226 Rod shockabsorber short Ti-Ni (2)
- 903232 Springwasher alu light (4)

SHOCK SPRINGS

- 160297 Spring grey short TC
- 160298 Spring black short TC
- 160299 Spring green short TC
- 160300 Spring white L23 (2.3/13) (2)
- 160301 Spring yellow L23 (2.8/16) (2)
- 160302 Spring oranje L23 (3.4/19.5) (2)
- 160303 Spring red L23 (4.1/23.5) (2)
- 160304 Spring pink L23 (4.0/28) (2)
- 160305 Spring blue L23 (5.8/33) (2)
- 160306 Spring purple L23 (6.8/39) (2)
- 160307 Spring green L23 (8/45.5) (2)
- 160308 Spring gray L23 (9/51.5) (2)
- 160309 Spring black L23 (10/57) (2)
- 160310 Spring-set L23 (5x2)

CHASSIS

- 401354 Chassis carbon 2.5mm
- 401374 Topdeck carbon 2mm

Optionals

- 401431 Topdeck carbon 2.5mm
- 401432 Chassis carbon 2mm
- 401444 Chassis carbon 2,25mm

BODYMOUNTS FR and RR

- 802211 Bodymount adjustable front (3)
- 802361 Bodymount adjustable rear (2)

FRONT SECTION

- 1652 Steel balls 5.8mm long (4)
- 401024 Ball 5mm (10)
- 401356 Camber link M3x26mm
- 401357 Foam bumper
- 401358 Stabi collar (2)
- 401359 Pully solid axle 38T
- 401361 Bumper upper/ lower
- 401362 C-hub 4 L+R
- 401363 Steeringblock L+R
- 401365 Bearingblock alu
- 401373 CVD axle set steel (2)
- 401376 Suspension bracket alu 1

- 401377 Suspension bracket alu 2
- 401379 Antirollbar 1.4mm
- 401380 Solid axle/spool
- 401381 CVD insert (2)
- 401382 Shocktower mount alu L+R
- 401384 Shocktower carbon front
- 401386 Pivot pin front inner (2)
- 401387 Wheelhexagon 1mm offset (2)
- 401388 Bushing alu 3x5x1 (10)
- 401389 Bushing alu 3x5x2 (10)
- 401390 Bushing alu 3x5x4 (2)
- 401391 Antirollbar ball (2)
- 401392 Bearing excenter (4)
- 401394 CVD driveshaft (2)
- 401397 Wishbone front lower (2)
- 401402 Antirollbar mount alu
- 401404 Suspension spacer 1mm (2)
- 401405 Pivot pin front-outer (2)
- 401406 CVD wheelaxle (2)
- 401410 Bushing steeringblock (4)
- 401411 Antirollbar bushing (16)
- 411063 Pivot ball threaded upper arm (2)
- 411187 Pivotball with shaft (2)
- 411206 Balljoint 4.5 (4)
- 411207 Balljoint 4.5 short (2)
- 411253 Pivotball uni 4.5mm (4)
- 802211 Bodymount adjustable front (3)

Optionals

- 401375 Suspension bracket alu 0
- 401378 Suspension bracket alu 3
- 401415 Antirollbar 1.2mm
- 401416 Antirollbar 1.6mm
- 401417 Antirollbar 1.8mm
- 401418 Suspension bracket alu 1.5
- 401419 Suspension bracket alu 2.5
- 401420 Suspension bracket alu 3.5
- 401422 Steeringblock alu L+R
- 401423 C-hub 2 alu L+R
- 401424 C-hub 4 alu L+R

401425 C-hub 6 alu L+R
 401426 Spacer suspension 0.5mm (2)
 401430 Camberlink alu (2)
 401428 Driveshaft adaptor delrin (2)
 401433 Weight set brass
 5gr - 12gr - 20gr (2+1+1)
 401434 Bushing smaller bearing (4)
 401445 Driveshaft double cardan joint DCJ (2)
 401446 Driveshaft DCJ (2)
 401447 Wheelaxle DCJ (2)
 401448 Coupler DCJ (2)
 401449 Insert DCJ (4)
 401450 Pin revision set DCJ (4)
 401452 Wishbone Fr Lw hard (2)
 401455 C-hub 4 L+R hard
 401459 Wishbone Fr Lw medium (2)
 401462 C-hub 4 L+R medium
 401467 Pivot pin front inner TiNi (2)

MIDDLE SECTION

1606 Antenna rod black (2)
 401354 Chassis carbon 2.5mm
 401360 Pully middle 19T + spacer (3)
 401366 Middle shaft alu
 401367 Motormount bracket alu
 401368 Motormount alu
 401374 Topdeck carbon 2mm
 401398 Bracket middleshaft alu
 401399 Bearingmount middleshaft alu
 401413 Battery mount (4)

Optionals

401427 Pully 19T alu
 401431 Topdeck carbon 2.5mm
 401432 Chassis carbon 2mm
 401433 Weight set brass
 5gr - 12gr - 20gr (2+1+1)
 401451 Motormount set V2
 401463 Belt tensioner set
 401464 Battery mount carbon F/R

REAR SECTION

1652 Steel balls 5.8mm long (4)
 401024 Ball 5mm (10)
 401353 Belt Kevlar 30S3M186 low friction
 401356 Camber link M3x26mm (2)
 401358 Stabi collar (2)
 401365 Bearingblock alu
 401373 CVD axle set steel (2)
 401375 Suspension bracket alu 0
 401378 Suspension bracket alu 3
 401379 Antirollbar 1.4mm
 401381 CVD insert (2)
 401382 Shocktower mount alu L+R
 401383 Geardiff set
 401385 Shocktower carbon rear
 401387 Wheelhexagon 1mm offset (2)
 401388 Bushing alu 3x5x1 (10)
 401389 Bushing alu 3x5x2 (10)
 401391 Antirollbar ball (2)
 401392 Bearing excenter (4)
 401393 Wishbone rear lower (2)
 401394 CVD driveshaft (2)
 401396 Upright (2)
 401402 Antirollbar mount alu
 401403 Pivot pin rear-inner (2)
 401404 Suspension spacer 1mm (2)
 401406 CVD wheelaxle (2)
 401407 Pivot pin rear-outer (2)
 401409 Blade (16)
 401411 Antirollbar bushing (16)
 411063 Pivot ball threaded upper arm (2)
 411187 Pivotball with shaft (2)
 411206 Balljoint 4.5 (4)
 411207 Balljoint 4.5 short (2)

Optionals

401352 Belt Kevlar 30S3M186
 401376 Suspension bracket alu 1
 401377 Suspension bracket alu 2
 401415 Antirollbar 1.2mm

401416 Antirollbar 1.6mm
 401417 Antirollbar 1.8mm
 401421 Upright alu (2)
 401426 Spacer suspension 0.5mm (2)
 401430 Camberlink alu (2)
 401433 Weight set brass
 5gr - 12gr - 20gr (2+1+1)
 401434 Bushing smaller bearing (4)
 401436 Balldiff set
 401445 Driveshaft double cardan joint DCJ (2)
 401446 Driveshaft DCJ (2)
 401447 Wheelaxle DCJ (2)
 401448 Coupler DCJ (2)
 401449 Insert DCJ (4)
 401450 Pin revision set DCJ (4)
 401453 Wishbone Rr Lw hard (2)
 401454 Upright hard (2)
 401460 Wishbone Rr Lw medium (2)
 401461 Upright medium (2)
 401468 Pivot pin rear inner TiNi (2)

TRANSMISSION

401351 Belt Kevlar 30S3M510 low friction
 401353 Belt Kevlar 30S3M186 low friction
 401359 Pully solid axle 38T
 401360 Pully middle 19T + spacer (3)
 401371 Geardiff revision set
 401380 Solid axle/spool
 401383 Geardiff set
 401408 Driveshaft solidaxle (2)
 401412 Geardiff housing
 401414 Geardiff outdrive (2)
 804176 Geardiff x-ring (4)

Optionals

401350 Belt Kevlar 30S3M510
 401352 Belt Kevlar 30S3M186
 401427 Pully 19T alu
 401428 Driveshaft adaptor delrin (2)
 401436 Balldiff set
 401437 Balldiff shaft female
 401438 Balldiff shaft male

401439	Balldiff nut (2)	110103	Screw allen countersunk m4x16 (10)	110140	Screw allen roundhead M3x20(10)
401440	Balldiff pully 38T	110104	Screw allen countersunk M3x8 (10)	110141	Screw allen roundhead M3x22(10)
401441	Balldiff spring (4)	110105	Screw allen countersunk m4x12 (10)	110142	Screw allen roundhead M3x25(10)
401442	Balldiff screw (2)	110106	Screw allen flanged roundhead m5x12(10)	110143	Screw allen roundhead M4x18(10)
401457	Slipper Spool pad S411 (2)	110107	Screw allen cilinderhead m3x16 (10)	110144	Screw allen roundhead M3x18(10)
401458	Diff gear 10T + diff axle for geardiff (2+1)	110108	Screw allen roundhead m3x6 (10)	110145	Screw allen roundhead flanged M3x12 (10)
		110109	Screw allen roundhead m3x10 (10)	110146	Screw allen roundhead flanged M3x16 (10)
		110110	Screw allen roundhead m3x16 (10)	110147	Screw ph roundhead widethread 2.5x5 (10)
		110111	Screw allen roundhead m3x14 (10)	110148	Setscrew allen M5x4 (10)
		110112	Screw allen roundhead m3x12 (10)	110149	Screw allen countersink M2x10 (10)
		110113	Screw allen roundhead m4x8 (10)	110150	Screw M6x12 nylon black (2)
		110114	Setscrew allen m3x8 (10)	110151	Screw allen cilinderhead M4x1(10)
		110115	Setscrew allen m3x4 (10)	110152	Screw allen cilinderhead M3x8(10)
		110116	Setscrew allen m3x3 (10)	110153	Screw allen roundhead M2.3x4(10)
		110117	Setscrew allen m3x12 (10)	110154	Setscrew allen M3x10 (10)
		110118	Setscrew allen m4x4 (10)	110155	Setscrew allen M3x5 (10)
		110119	Setscrew allen m4x6 (10)	110156	Screw allen countersunk M2,2x6 (10)
		110120	Setscrew allen m4x10 (10)	110157	Screw allen countersunk M3x5 (10)
		110121	Setscrew allen m5x6 (10)	110158	Screw allen countersunk M3x15 (10)
		110122	Screw allen countersunk m3x6 (10)	110159	Screw allen countersunk M3x18 (10)
		110123	Screw philips roundhead 3.5x13 (10)	110160	Screw allen cilinderhead M2,2x12(10)
		110124	Screw allen roundhead m3x8 (10)	110161	Screw allen cilinderhead M2x6 (10)
		110125	Screw allen countersunk m3x20 (10)	110162	Setscrew allen M3x2,5 (10)
		110126	Screw allen countersunk m2.5x12 (10)	110163	Setscrew allen M3x2 (10)
		110127	Screw allen countersunk m3x12 (10)	110164	Screw allen roundhead M3x4 (10)
		110128	Screw allen roundhead m3x5 (10)	110200	Pin 2.5x8 (10)
		110129	Screw allen cilinderhead m3x10 (10)	110201	Pin 3x12 (10)
		110130	Screw allen roundhead m2.5x6 (10)	110202	Pin 5x5 (10)
		110131	Screw allen roundhead m2.5x10 (10)	110203	Pin 3x14 (10)
		110132	Screw allen countersunk m3x16 (10)	110204	Pin 3x20 (10)
		110133	Screw philipshead countersunk 2.5x8 wide (10)	110205	Pin 3x22 (10)
		110134	Screw philipshead countersunk 2.5x10 wide (10)	110206	Pin 2.5x22 (10)
		110135	Screw allen countersunk M2.5x10 (10)	110207	Pin 2.5x12 (10)
		110136	Screw allen countersunk M2.5x8 (10)	110208	Pin nra 2x9.8 (4)
		110137	Setscrew allen M3x6 (10)	110209	Pin nra 2x18 (4)
		110138	Screw allen countersunk M4x14 (10)	110210	Pin 3x13 (10)
		110139	Screw allen countersunk M3x40 (10)		
Spur Gears					
120005	Spur gear 64P / 92T				
120006	Spur gear 64P / 96T				
120007	Spur gear 64P / 100T				
120008	Spur gear 64P / 104T				
120009	Spur gear 64P / 108T				
120010	Spur gear 64P / 112T				
120011	Spur gear 64P / 116T				
120015	Spur gear 48P / 69T				
120016	Spur gear 48P / 72T				
120017	Spur gear 48P / 75T				
120018	Spur gear 48P / 78T				
120019	Spur gear 48P / 81T				
120020	Spur gear 48P / 84T				
120021	Spur gear 48P / 87T				
BALL-BEARINGS					
1310	Ballbearing 4x7 Flanged (2)				
1311	Ballbearing 5x8x2.5 (2)				
1314	Ballbearing 6x12 (2)				
1315	Ballbearing 5x10x4 (2)				
1316	Ballbearing 5x9 (2)				
1321	Ballbearing 6x10x3 (2)				
1338	Ballbearing 5x8x2.5 (2)				
1344	Ballbearing 10x15x4 (2)				
401124	Ballbearing 3x6x2.5 (2)				
401135	Trustsbearing 2,5x6x2				
FASTENING MATERIALS					
110100	Screw allen countersunk m3x10 (10)				
110101	Screw allen countersunk m4x8 (10)				
110102	Screw allen countersunk m4x10 (10)				

110211 Pin 2.5x13 (10)
 110212 Pin 2.5x17 (10)
 110213 Pin 2.5x10 (10)
 110214 Pin 3x15 (10)
 110215 Pin 2x12 (10)
 110216 Pin 2,5x15 (10)
 110300 E-clip 2.3 (10)
 110301 E-clip 3.2 (10)
 110302 E-clip 4.0 (10)
 110303 E-clip 5.0 (10)
 110304 E-clip 7.0 (10)
 110305 Seger clip 12x1.0 (10)
 110306 E-clip 6.0 (10)
 110400 Washer 6.0x10 (10)
 110401 Washer 3.2x7 (10)
 110402 Nut nylock M3 (10)
 110403 Nut nylock M4 (10)
 110404 Washer 6x8x0.3 (10)
 110405 Nut nylock M4 flanged (10)
 110406 Nut nylock M2.2 (10)

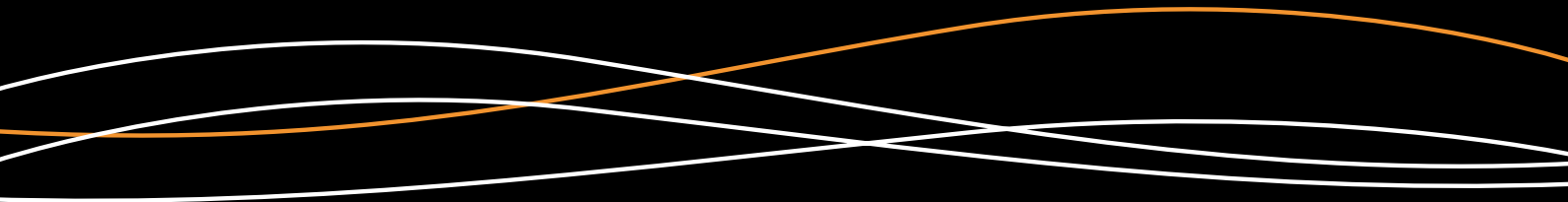
MERCHANDISING

190110 Sweater hooded serpent black (s)
 190111 Sweater hooded serpent black (m)
 190112 Sweater hooded serpent black (l)
 190113 Sweater hooded serpent black (xl)
 190114 Sweater hooded serpent black (xxl)
 190121 T-shirt Serpent LTS white (S)
 190122 T-shirt Serpent LTS white (M)
 190123 T-shirt Serpent LTS white (L)
 190124 T-shirt Serpent LTS white (XL)
 190125 T-shirt Serpent LTS white (XXL)
 190127 T-shirt Serpent DTR orange (S)
 190128 T-shirt Serpent DTR orange (M)
 190129 T-shirt Serpent DTR orange (L)
 190130 T-shirt Serpent DTR orange (XL)
 190131 T-shirt Serpent DTR orange (XXL)
 190132 T-shirt Serpent DTR black (S)
 190133 T-shirt Serpent DTR black (M)

190134 T-shirt Serpent DTR black (L)
 190135 T-shirt Serpent DTR black (XL)
 190136 T-shirt Serpent DTR black (XXL)
 190150 Dress shirt Serpent black-orange (S)
 190151 Dress shirt Serpent black-orange (M)
 190152 Dress shirt Serpent black-orange (L)
 190153 Dress shirt Serpent black-orange (XL)
 190154 Dress shirt Serpent black-orange (XXL)
 190155 Dress shirt Serpent black-orange (XXXL)
 190156 Polo shirt Serpent black-orange (S)
 190157 Polo shirt Serpent black-orange (M)
 190158 Polo shirt Serpent black-orange (L)
 190159 Polo shirt Serpent black-orange (XL)
 190160 Polo shirt Serpent black-orange (XXL)
 190161 Polo shirt Serpent black-orange (XXXL)
 1891 Serpent medium promo decal 20x12,5 (2)
 1893 Serpent decal XL (30x60cm)
 1998 Cap serpent black-orange
 1869 Pit-towel serpent orange 140x60cm
 1872 Rucksack serpent (35x45cm) black
 1873 Rucksack serpent (48x61cm) black
 1883 Banner Serpent S-logo 200x100 nylon

**For latest updates check:
www.serpent.com/400005**

NEWS - NOTES



SERPENT

www.serpent.com - info@serpent.com



© Serpent #2-2011